

# **KOHLER** **engines**

## **MODEL K482 - K532 - K582**

### **PARTS MANUAL**

All dimensions indicated in inches unless specified.

The model, specification, and serial numbers of your engine are found on the engine nameplate. Use the specification and serial numbers to insure correct parts identification.

## HOW TO IDENTIFY PARTS IN AN ENGINE FOR WHICH YOU DO NOT HAVE THE SPECIFICATION NUMBER

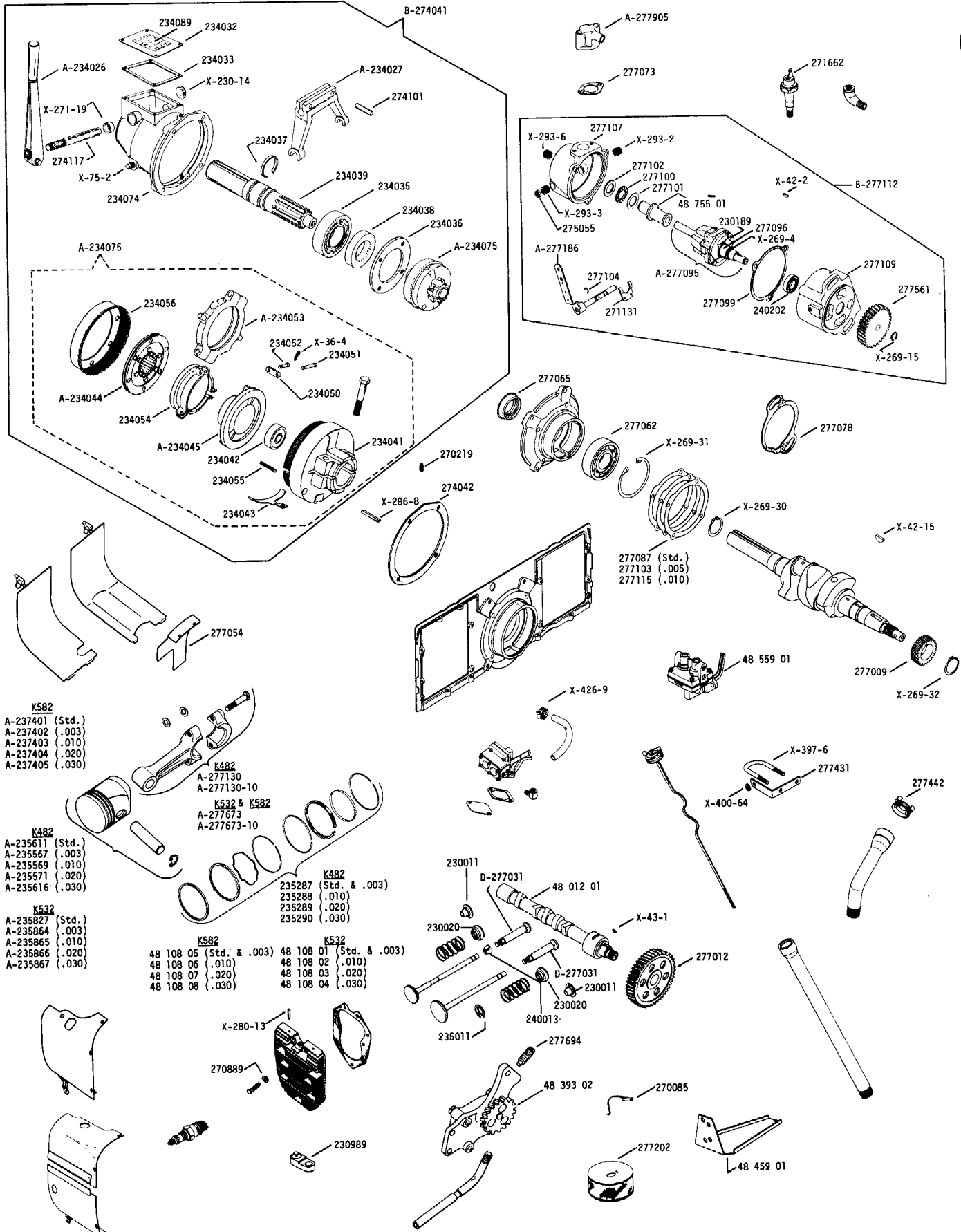
A specification number not appearing in the index may have been produced in very limited quantity. Parts may be identified for such an engine by using the following procedures.

- a. Check Quick Reference Parts List. Part may be common to all specifications.
- b. If not a common part, then check group illustration to see if part is shown. Using index letter, check parts list for part number.
- c. If part is illustrated and several numbers given, examine group and see if a special part is shown which you have on your engine. If so, determine variation number and go back to original part that you were looking for. Find the same variation number as used for special part and you will have correct part number.

## **QUICK REFERENCE PARTS LIST**

The following two pages contain an exploded view of the K482 K532 & K582 engine. You will find the part numbers of common parts printed right on this exploded view. If you see the part illustrated, but no part number is shown, you must refer to the parts group pages in the manual. Numbers shown are common to all specifications.

# QUICK REFERENCE PARTS LIST



- K582
- A-237401 (Std.)
- A-237402 (.003)
- A-237403 (.010)
- A-237404 (.020)
- A-237405 (.030)

- K482
- A-235611 (Std.)
- A-235667 (.003)
- A-235669 (.010)
- A-235671 (.020)
- A-235616 (.030)

- K532
- A-235827 (Std.)
- A-235864 (.003)
- A-235865 (.010)
- A-235866 (.020)
- A-235867 (.030)

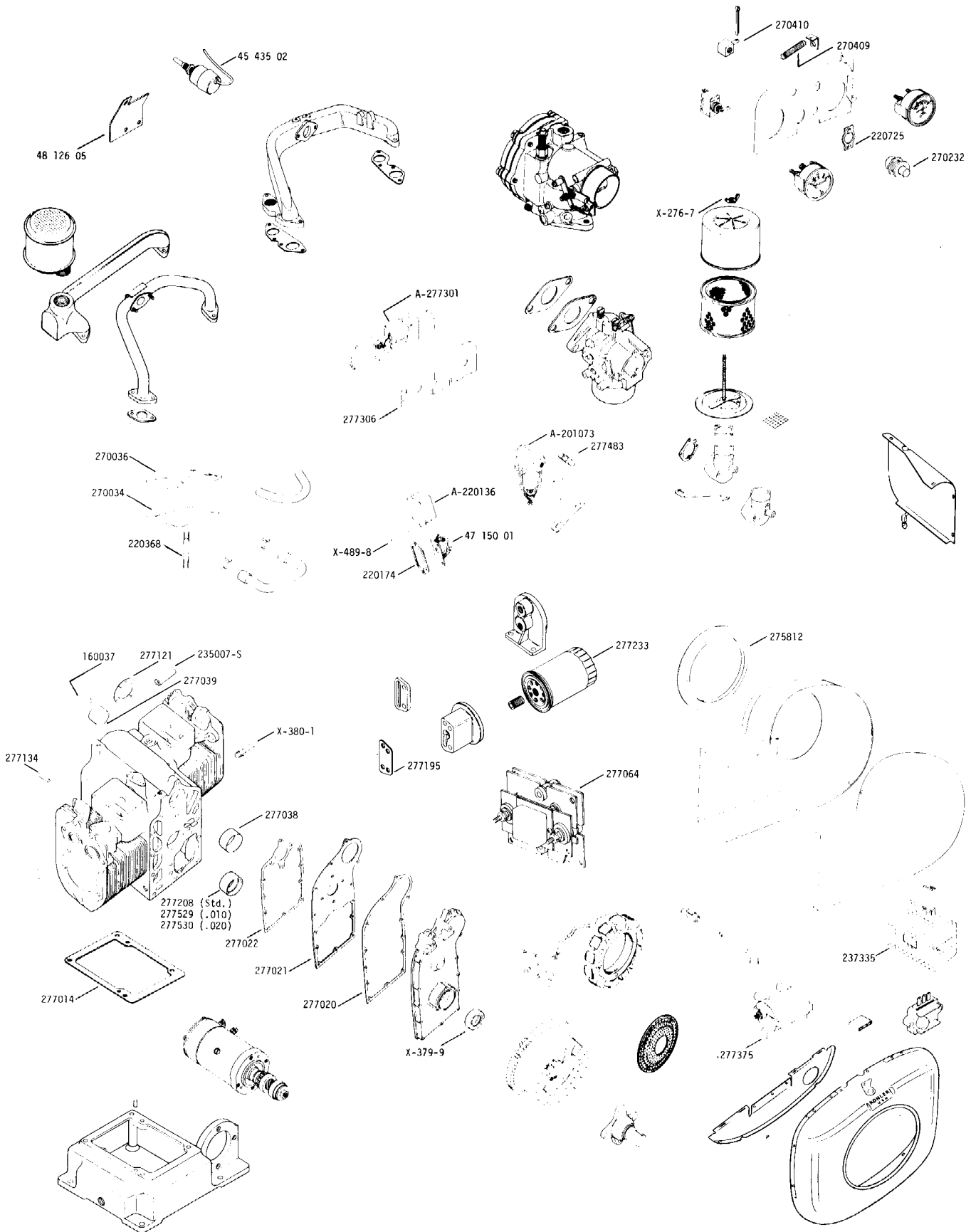
- K482
- A-277130
- A-277130-10
- K532 & K582
- A-277673
- A-277673-10

- |      |                      |      |                      |
|------|----------------------|------|----------------------|
| K482 | 235287 (Std. & .003) | K482 | 235287 (Std. & .003) |
|      | 235288 (.010)        |      | 235288 (.010)        |
|      | 235289 (.020)        |      | 235289 (.020)        |
|      | 235290 (.030)        |      | 235290 (.030)        |
- 
- |      |                         |      |                         |
|------|-------------------------|------|-------------------------|
| K582 | 48 108 05 (Std. & .003) | K532 | 48 108 01 (Std. & .003) |
|      | 48 108 06 (.010)        |      | 48 108 02 (.010)        |
|      | 48 108 07 (.020)        |      | 48 108 03 (.020)        |
|      | 48 108 08 (.030)        |      | 48 108 04 (.030)        |

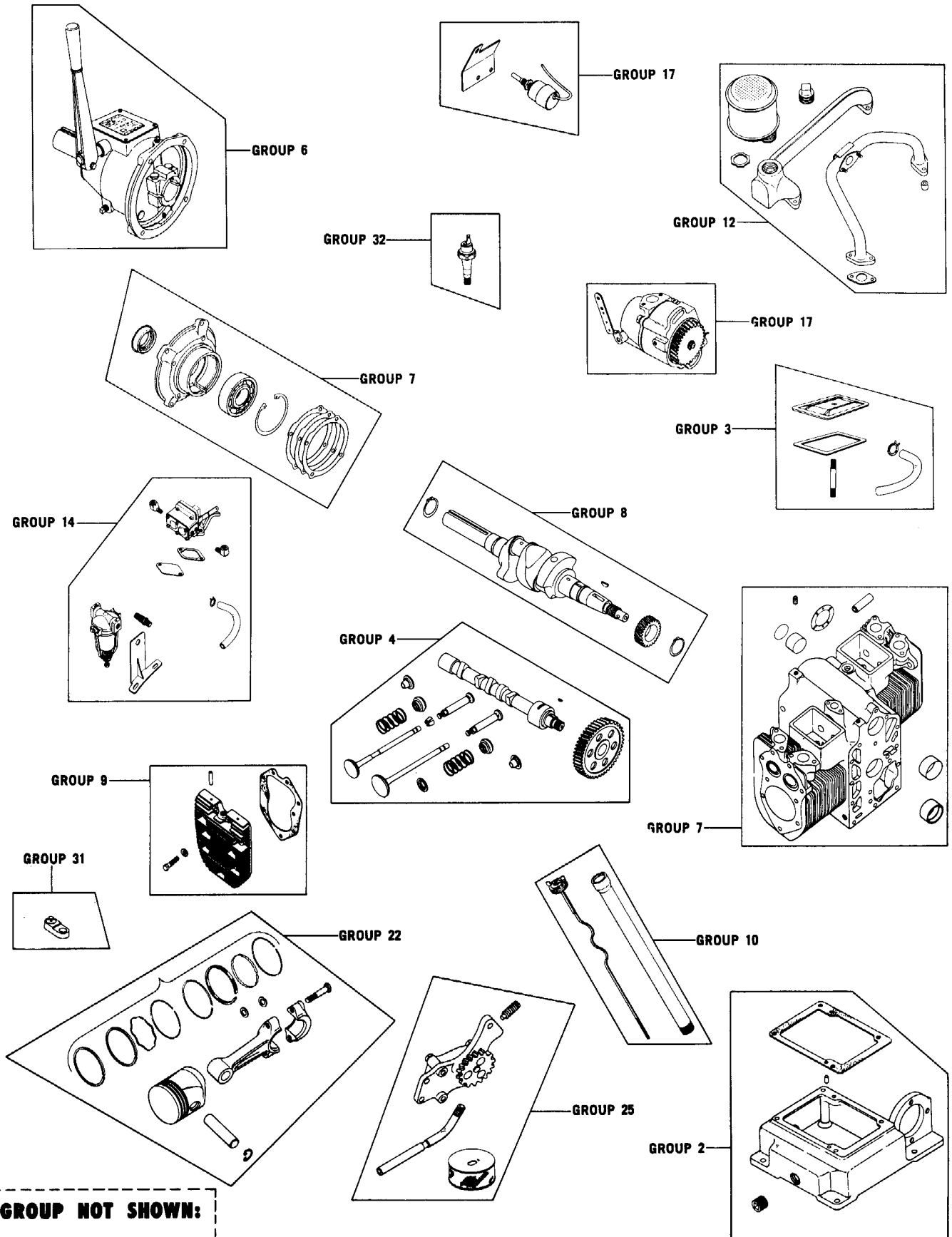
- X-280-13
- 270889
- 230989

- 230011
- D-277031
- 48 012 01
- 230020
- 230011
- X-43-1
- 277012
- 230011
- 240013
- 230020
- 235011
- 277694
- 48 393 02
- 270085
- 277202
- 48 459 01

# QUICK REFERENCE PARTS LIST

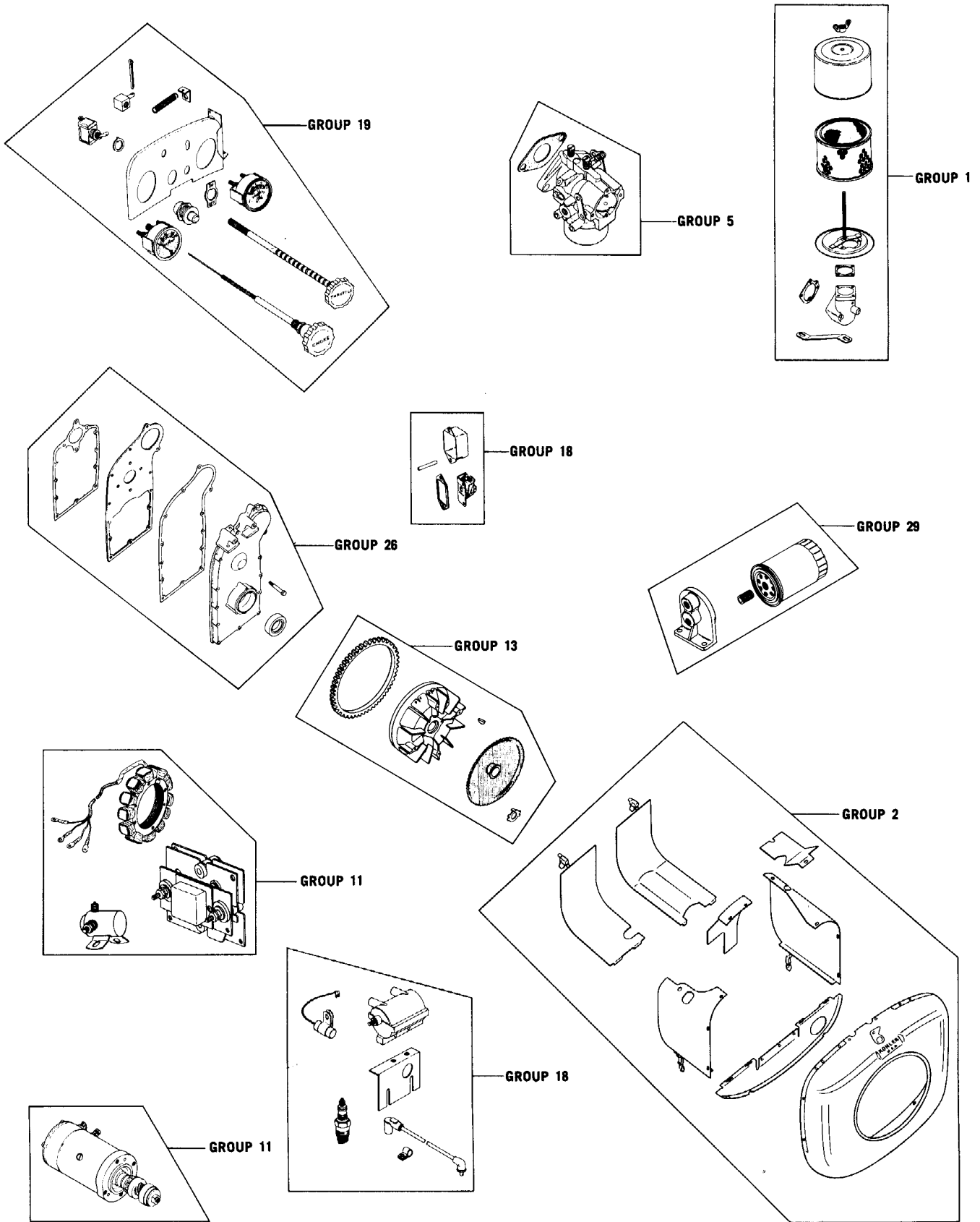


# COMPOSITE EXPLODED VIEW



**GROUP NOT SHOWN:**  
41 - SHORT BLOCK

# COMPOSITE EXPLODED VIEW



GRID A2

INDEX - GRID A3 →

**SPEC. NO. INDEX**

Always check "Quick Reference Parts List" first - Grid G1 & G2

GRID	A12	A13	B1	B2	B2	B8	B8	B11	B12	B12	B13	C2	C3	C5	C8	C9	C10	C12	C13	C14	C14	D1	D1	D1	D2	
GROUP TITLE	AIR INTAKE	BAFFLES AND SHROUD	BREATHING AND VENT	CAMSHAFT AND VALVES	CARBURETOR	CLUTCH	CRANKCASE	CRANKSHAFT	CYLINDER HEAD	DIPSTICK	ELECTRIC START	EXHAUST	FLYWHEEL	FUEL PUMP	GOVERNOR	IGNITION	INSTRUMENT PANEL	OIL PAN	PISTON AND ROD	OIL PUMP	GEAR COVER	OIL FILTER	HIGH TEMP. CUTOUT	OIL PRESSURE CUTOUT	SHORT BLOCK	
Group No.	1	2	3	4	5	6	7	8	9	10	11	12	13	14	17	18	19	21	22	25	26	29	31	32	41	
SPEC. NO.	VARIATION NUMBER																									

**K482**

35107	6	3	4	3	1		19	4	1	4	4	5	6	23	2	3	4	5	2	3	5	3			6
35109	7	3	4	5	1		19	3	1	4	4	7	6	23	2	3	4	5	2	3	5	500			7
35113	600	3	4	3	1		5	21	1	4	19	23	9	14	2	12	13	4	5	2	3	5	8		
35115	6	3	4	4	1		5	4	1	4	4	5	6	3	2	3	4	5	2	3	5	3			6
35119	6	3	4	3	1		19	11	1	4	4	5	6	23	2	15	4	5	2	3	5	3			6
35120	15	3	4	6	1		5	4	1	4	14	51	6	4	800	3	700	7	2	3	5	3			6
35121	6	6	4	3	1		19	4	1	4	14	14	11	23	2	5	7	1	2	4	7	3			6
35122	6	6	4	3	1	1	10	8	1	4	14	14	11	23	2	5	7	1	2	4	7	3			9
35123	6	6	4	4	1		9	2	1	4	4	14	11	23	2	5	7	1	2	4	7	3			9
35124	8	13	4	4	1		6	13	1	21	13	13	17	5	2	12	5	9	4	3	5	5			6
35125	6	3	4	3	1	1	10	8	1	4	4	5	6	23	2	3	4	5	2	3	5	3			9
35126	601	11	4	4	1		14	12	1	4	4	11	11	12	8	10	10	1	2	20	7	3			6
35128	8	3	4	3	1		5	4	1	4	4	7	6	3	2	3	4	5	2	3	5	3			6
35129	6	3	4	4	1		9	2	1	4	4	5	6	3	2	3	4	5	2	3	5	3			9
35139	6	3	4	3	1		10	14	1	4	4	5	8	3	2	3	4	5	2	3	5	3			9
35142	6	3	4	3	1		5	15	1	4	4	5	6	3	2	3	4	5	2	3	5	3			7
35144	6	3	4	6	2		5	4	1	4	4	5	6	3	2	3	4	5	2	3	5	3			6
35145	6	3	4	3	1		5	13	1	4	4	5	13	3	2	3	4	5	2	3	5	3			6
35147	6	3	4	3	1		6	4	1	22	18	7	13	14	800	8	5	5	2	3	5	3			6
35148	6	6	4	3	1		5	4	1	4	4	5	11	3	2	7	7	1	2	4	7	3			6
35153		13	6	4	10		6	13	3	21	13	16	17	4	7	12	5	9	4	3	5	5			6
35154	6	6	4	4	1		9	9	1	4	14	14	11	3	2	5	7	1	2	4	7	3			6
35157	14	3	4	4	1		5	4	1	4	50	25	6	14	2	11	5	5	2	3	5	3	2		6
35159	14	3	4	4	1		19	4	1	4	15	9	6	14	2	3	14	5	2	3	5	3			6
35162	6	7	4	3	1		5	4	1	4	14	19	19	14	2	3	5	5	2	3	5	6			6
35164	6	14	4	4	1		5	4	1	4	8	7	15	3	2	3	5	5	2	3	5	5			6
35166	5	3	4	3	1		5	4	1	4	16	5	6	3	2	3	4	5	2	3	5	5			6
35167	12	14	7	4	8		5	4	3	4	8	22	15	4	7	4	5	5	2	3	5	3			6
35171	6	3	4	3	1		19	17	1	4	4	5	6	23	2	3	4	5	2	3	5	3			6
35173	8	13	4	4	1		17	4	1	5	13	13	17	16	2	12	5	9	4	3	5	5			6
35174		13	6	4	10		17	4	3	5	13	16	17	4	7	12	5	9	4	3	5	5			6
35182	6	3	4	3	1		10	8	1	4	4	5	8	3	2	3	4	5	2	3	5	3			9
35184	6	3	4	3	1		200	4	1	4	28	9	6	14	800	3	5	5	2	3	5	3			6
35185	6	3	4	3	1		5	4	1	4	14	5	6	3	2	3	5	5	2	3	5	3			6
35186	14	3	4	3	1		19	4	1	4	14	52	6	23	2	3	5	5	2	3	5	3			6
35195	6	3	4	3	1		5	4	1	4	14	29	6	3	2	3	5	5	2	3	5	3			6
35198	6	3	4	3	1		6	4	1	22	4	7	8	23	2	3	4	5	2	3	5	3			6
35199	6	3	4	4	1	1	10	8	1	4	4	19	6	23	2	3	4	5	2	3	5	3			9
35200	14	3	4	4	1		5	4	1	4	51	25	6	14	2	11	5	5	2	3	5	3	2		6
35202	17	20	4	3	1		10	8	1	4	28	7	26	22	2	3	5	5	2	3	5	3			9
35206	8	17	4	4	15		17	4	1	5	22	24	17	16	12	12	5	13	4	3	5	4			6
35207	17	8	4	11			17	4	3	5	22	33	17	4	13	12	5	13	4	3	5	3			6
35208	600	3	4	3	1		19	28	1	4	19	23	32	14	2	12	13	5	2	3	5	8			5
35209	21	19	4	4	14		23	27	1	4	29	35	27	20	2	3	5	5	2	3	9	2			6
35213	14	3	4	4	1		19	4	1	4	24	9	6	14	2	3	14	5	2	3	5	3			6
35214	14	3	4	4	1		19	4	1	4	53	25	6	14	2	11	5	5	2	3	5	3	2		6

\* Accessories: See back of Manual--Grid A9  
# Basic Engine

Limited Production: See back of Manual--Grid A10  
Gasket Set: See back of Manual--Grid A11  
Special Parts List: See back of Manual--Grid D4



**SPEC. NO. INDEX**

Always check "Quick Reference Parts List" first - Grid G1 & G2

GRID	A12	A13	B1	B2	B2	B8	B9	B11	B12	B12	B13	C2	C3	C5	C6	C9	C10	C12	C13	C14	C14	D1	D1	D1	D2	
GROUP TITLE	AIR INTAKE	BAFFLES AND SHROUD	BREATHER AND VENT	CAMSHAFT AND VALVES	CARBURETOR	CLUTCH	CRANKCASE	CRANKSHAFT	CYLINDER HEAD	DIPSTICK	ELECTRIC START	EXHAUST	FLYWHEEL	FUEL PUMP	GOVERNOR	IGNITION	INSTRUMENT PANEL	OIL PAN	PISTON AND ROD	OIL PUMP	GEAR COVER	OIL FILTER	HIGH TEMP. CUTOUT	OIL PRESSURE CUTOUT	SHORT BLOCK	
Group No.	1	2	3	4	5	6	7	8	9	10	11	12	13	14	17	18	19	21	22	25	26	29	31	32	41	
SPEC NO.	VARIATION NUMBER																									
35216	6	3	4	3	1		19	4	1	4	26	37	29	21	2	3	4	5	2	3	9	3			6	
35217	6	6	4	3	1		19	4	1	4	37	11	21	2	5	7	1	2	4	7	3			6	9	
35221	6	3	4	3	1	1	10	8	1	4	26	37	29	21	2	3	4	5	2	3	9	3			6	
35222	22	19	4	4	14		23	27	1	4	29	35	27	20	2	25		5	2	3	9	2			6	
35223	8	21	4	4	15		17	4	1	5	22	42	17	16	12	12	5	13	4	3	5	9			6	
35224		21	8	4	11		17	4	3	5	22	33	17	4	13	12	5	13	4	3	5	9			6	
35225	6	3	4	4	19	1	10	8	1	4	26	19	29	23	2	16	4	5	2	3	9	3			9	
35227	14	3	4	4	1		19	4	1	4	33	9	29	14	2	3	17	5	2	3	9	3			6	
35228	14	3	4	4	19		19	4	1	4	52	25	29	14	2	21	5	5	2	3	9	3	2		6	
35229	6	3	4	3	1		19	17	1	4	26	5	29	23	2	3	4	5	2	3	9	3			6	
35230	6	3	4	3	1		6	11	1	22	26	7	34	23	2	3	4	5	2	3	9	3			6	
35234	6	3	4	3	19		200	4	1	4	32	9	29	14	800	16	5	5	2	3	9	3			6	
35240	11	3	4	3	2		19	34	2	4	21	34	29	21	2	16		5	2	3	9	3	1		6	
35244	27	3	4	3	1		19	4	1	4	14	52	6	23	2	800		5	2	3	5	3			6	
<b>K582</b>																										
#36202	6	3	4	8	17		49	25	6	4	26	37	64	30	2	32	22	5	7	3	9	3			11	
36224	33	27	4	9	18		38	25	8	10	39	39	54	14	15	29	18	15	7	3	9	3		3	12	
36231	8	31	9	9	30		46	53	6	4	38	34	41	4	19	28	17	7	3	9	9			11		
36234*	6	3	4	9	17		49	25	6	4	11	5	55	31	17	16	21	5	7	3	9	9	1		11	
36240	6	3	4	8	17		49	25	6	4	45	37	54	21	20	16	23	5	7	3	9	3			11	
36243	8	21	4	9	32		51	25	6	5	22	42	17	16	19	12	5	13	7	3	5	9			11	
36244	21	8	9	11			51	25	7	5	22	33	17	4	13	12	5	13	7	3	5	9			11	
36245*	35	3	4	8	17		49	25	6	4	32	34	64	30	2	32	5	5	7	3	9	3			11	
<b>K532</b>																										
53100	600	3	4	8	1		18	24	6	8	21	23	31	20	2	19	13	5	5	3	9	8			5	
#53101	6	3	4	8	1		48	25	6	4	26	37	29	30	2	32	22	5	5	3	9	3			6	
53102	600	3	4	8	1		18	24	6	8	21	23	35	20	2	19	13	5	5	3	9	8			5	
53103	8	21	4	9	15		20	25	6	5	27	34	30	16	12	12	5	13	6	3	9	9			6	
53104	14	3	4	9	1		18	25	6	4	52	25	29	14	2	21	5	5	5	3	9	3			6	
53105	22	24	4	9	14		24	29	6	4	29	47	27	20	2	3		5	5	3	9	3			8	
53113	8	21	4	9	15		20	25	6	5	27	42	30	16	12	12	5	13	5	3	9	9			6	
53114	17	33	4	8	1		25	32	6	4	32	48	33	22	2	25	5	16	5	3	9	3			9	
53120	31	3	4	8	1		26	31	6	100	45	7	34	23	2	3	23	5	5	3	9	3			6	
53123	8	3	4	9	19		201	41	6	4	20	9	48	14	2	32	5	5	5	3	5	3			4	
53124	8	21	4	9	15		20	25	6	5	22	42	17	16	19	12	5	13	5	3	5	9			6	
53125		21	8	9	11		20	25	7	5	22	33	17	4	13	12	5	13	5	3	5	9			6	
53131	28	27	4	8	18		30	39	8	9	36	39	41	4	15	33	18	15	5	3	9	3			10	
53132	26	3	4	8	19		40	25	6	4	14	45	6	23	2	300		5	5	3	5	3			6	
53133	14	3	4	9	19		48	25	6	4	33	9	29	14	2	16	17	5	5	3	9	3			6	
53135	6	3	4	9	19	1	25	32	6	4	26	19	29	23	2	31	22	5	5	3	9	3			9	
53136*	11	3	4	10	2		40	40	9	4	19	34	6	26	2	24		5	5	3	5	3	2		6	
53138	600	3	4	8	19		18	24	6	8	21	23	35	14	2	19	13	5	5	3	9	8			5	
53139	6	3	4	8	1		48	31	6	4	4	5	6	23	2	15	4	5	5	3	5	3			6	
53141	6	7	4	8	19		40	25	6	4	32	19	37	14	2	24	5	5	5	3	9	6			6	
53154	31	3	4	8	1		18	25	6	4	40	37	29	4	20	16	701	5	5	3	9	3			6	

\* Accessories: See back of Manual--Grid A9  
# Basic Engine

Limited Production: See back of Manual--Grid A10  
Gasket Set: See back of Manual--Grid A11  
Special Parts List: See back of Manual--Grid D4

GENERATOR SET SPECIFICATIONS ON FOLLOWING PAGES--GRID A5







## GENERATOR SET SPEC. NO. INDEX

GRID	A12	A13	B1	B2	B2	B9	B11	B12	B12	B13	C2	C3	C5	C6	C7	C10	C11	C13	C14	D1	D1	D2	D2	D2	D3
GROUP TITLE	AIR INTAKE	BAFFLES AND SHROUD	BREATHER AND VENT	CAMSHAFT AND VALVES	CARBURETOR	CRANKCASE	CRANKSHAFT	CYLINDER HEAD	DIPSTICK	ELECTRIC START	EXHAUST	FLYWHEEL	FUEL PUMP	FUEL TANK	GOVERNOR	IGNITION	INSTRUMENT PANEL	OIL PAN	PISTON AND ROD	OIL PUMP	GEAR COVER	OIL FILTER	HIGH TEMP. CUTOUT	OIL PRESSURE CUTOUT	SHORT BLOCK
Group No.	1	2	3	4	5	7	8	9	10	11	12	13	14	15	17	18	19	21	22	25	26	29	31	32	41
SPEC NO.	VARIATION NUMBER																								
90135B	16	25	4	4	20	7	5	2	4		38	42	23		16	20		8	2	4	4	9	7		1
90136B	16	25	4	4	20	7	5	2	4		38	42	23		16	20		8	2	4	4	9	7	2	1
90137B	9	5	5	4	3	7	5	3	4		9	7	4		16	3		14	2	4	4	9	3		1
90138B	9	5	5	4	3	7	5	3	4		9	7	4		16	3		14	2	4	4	9	3		1
90139B	9	9	5	4	3	7	5	3	4		102	14	4		16	24		14	2	4	4	9	3		1
90140B	16	25	4	4	20	7	5	2	4		38	42	23		16	20		8	2	4	4	9	7	2	1
90141B	9	5	5	4	3	7	5	3	4		9	7	4		16	3		14	2	4	4	9	3		1
90142B	9	9	5	4	3	7	5	3	4		9	14	4		16	3		14	2	4	4	9	3		1
90143B	9	9	5	4	3	7	5	3	4		102	14	4		16	24		14	2	4	4	9	3		1
90144B	9	5	5	4	3	7	5	3	4		9	7	4		16	3		14	2	4	4	9	3		1
90145B	9	9	5	4	3	7	5	3	4		9	14	4		16	3		14	2	4	4	9	3		1
90146B	9	9	5	4	3	7	5	3	4		102	14	4		16	24		14	2	4	4	9	3		1
90147B	9	5	5	4	3	7	5	3	4		9	7	4		16	3		14	2	4	4	9	3		1
90148B	9	9	5	4	3	7	5	3	4		102	14	4		16	24		14	2	4	4	9	3		1
90149B	16	25	4	4	20	7	5	2	4		38	42	23		16	20		8	2	4	4	9	7	2	1
90150B	9	9	5	4	3	7	5	3	4		9	14	4		16	3		14	2	4	4	9	3		1
90151B	9	9	5	4	3	7	5	3	4		9	14	4		16	3		14	2	4	4	9	3		1
90152B	9	5	5	4	23	7	5	3	4		42	7	10		16	3		14	2	4	4	9	3		1
90153B	5	10	4	4	2	7	5	1	4		104	16	198	50	16	13		14	2	4	4	7	3		1
90154B	5	6	4	4	20	7	5	1	4		42	51	23		16	26		14	2	4	4	7	3		1
90155B	16	25	4	4	20	7	5	2	4		38	42	29		16	20		8	2	4	4	9	7	2	1

*Gasket Set: See back of Manual--Grid A11*

## GENERATOR SET SPEC. NO. INDEX

GRID	A12	A13	B1	B2	B2	B9	B11	B12	B12	C2	C3	C5	C6	C9	C12	C13	C14	C14	D1	D1	D1	D2
GROUP TITLE	AIR INTAKE	BAFFLES & SHROUD	BREATHER & VENT	CAMSHAFT & VALVES	CARBURETOR	CRANKCASE	CRANKSHAFT	CYLINDER HEAD	DIPSTICK	EXHAUST	FLYWHEEL	FUEL PUMP	GOVERNOR	IGNITION	OIL PAN	PISTON & ROD	OIL PUMP	GEAR COVER	OIL FILTER	HIGH TEMP. CUTOUT	OIL PRESSURE CUTOUT	SHORT BLOCK
	Group No.	1	2	3	4	5	7	8	9	10	12	13	14	17	18	21	22	25	26	29	31	32
SPEC NO.	VARIATION NUMBER																					
13102A	6	5	4	9	22	39	30	6	4	42	52	23	16	30	14	7	5	9	8			2
13104A	6	5	4	9	22	39	30	6	4	42	52	23	16	30	14	7	5	9	8			2
13105A	6	5	4	9	22	39	30	6	4	42	52	23	16	30	14	7	5	9	8			2
13106A	9	5	5	9	26	39	30	7	4	42	52	10	16	30	14	7	5	9	8			2
13107A	9	5	5	9	26	39	30	7	4	42	52	10	16	30	14	7	5	9	8			2
13108A	9	5	5	9	27	39	30	7	4	42	52	4	16	30	14	7	5	9	8			2
13109A	9	5	5	9	27	39	30	7	4	42	52	4	16	30	14	7	5	9	8			2
13110A	30	29	4	9	28	39	30	9	4	38	50	27	16	20	8	7	5	9	7	2	1	2
13111A	30	29	4	8	28	39	30	9	4	38	50	28	16	20	8	7	5	9	7	2	1	2
13112A	9	5	5	9	26	39	30	7	4	42	52	10	16	30	14	7	5	9	8			2
13113A	9	5	5	9	27	39	30	7	4	42	52	4	16	30	14	7	5	9	8			2
13114A	5	28	4	9	22	39	30	6	4	42	49	23	16	30	14	7	5	9	8			2
13115A	30	29	4	9	28	39	30	9	4	38	50	27	16	20	8	7	5	9	7	2	1	2
13116A	30	29	4	8	28	39	30	9	4	38	50	28	16	20	8	7	5	9	7	2	1	2
13117A	5	28	4	9	22	39	30	6	4	42	49	23	16	30	14	7	5	9	8			2
13118A	9	28	5	9	27	39	30	7	4	42	49	4	16	30	14	7	5	9	8			2
13119A	9	28	5	9	26	39	30	7	4	42	49	10	16	30	14	7	5	9	8			2
13120A	9	28	5	9	27	39	30	7	4	42	49	4	16	30	14	7	5	9	8			2
13121A	9	28	5	9	26	39	30	7	4	42	49	10	16	30	14	7	5	9	8			2
13122A	5	28	4	9	22	39	30	6	4	42	49	23	16	30	14	7	5	9	8			2
13123A	9	28	5	9	27	39	30	7	4	42	49	4	16	30	14	7	5	9	8			2
13124A	9	28	5	9	26	39	30	7	4	42	49	10	16	30	14	7	5	9	8			2
13125A	5	30	4	9	22	39	30	6	4	49	49	23	16	30	14	7	5	9	8			2
13126A	9	30	5	9	27	39	30	7	4	49	49	4	16	30	14	7	5	9	8			2
13127A	9	30	5	9	26	39	30	7	4	42	49	10	16	30	14	7	5	9	8			2
13128A	5	30	4	9	22	39	30	6	4	49	49	23	16	30	14	7	5	9	8			2
13129A	9	30	5	9	27	39	30	7	4	49	49	4	16	30	14	7	5	9	8			2
13130A	9	30	5	9	26	39	30	7	4	42	49	10	16	30	14	7	5	9	8			2
13131A	5	30	4	9	22	39	30	6	4	49	49	23	16	30	14	7	5	9	8			2
13132A	9	30	5	9	27	39	30	7	4	49	49	4	16	30	14	7	5	9	8			2
13133A	9	30	5	9	26	39	30	7	4	42	49	10	16	30	14	7	5	9	8			2
13134A	5	28	4	9	22	39	30	6	4	42	49	23	16	30	14	7	5	9	8			2
13135A	30	29	4	9	28	39	30	9	4	38	50	27	16	20	8	7	5	9	7	2	1	2
13136A	5	30	4	9	22	39	30	6	4	49	49	23	16	30	14	7	5	9	8			2
13140A	30	29	4	9	28	39	30	9	4	38	50	27	16	20	8	7	5	9	7	2	1	2

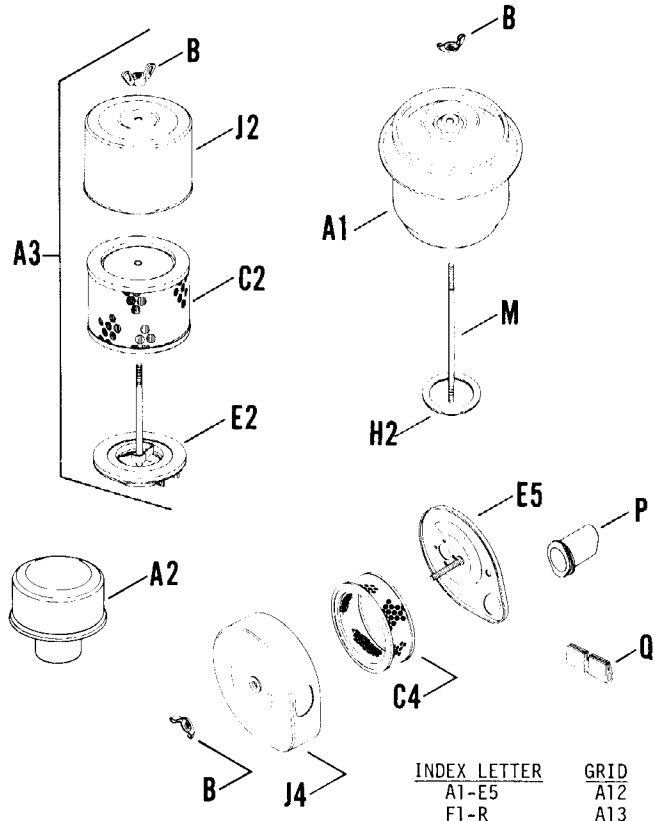
Gasket Set: See back of Manual--Grid A11

# K482-K532-K582

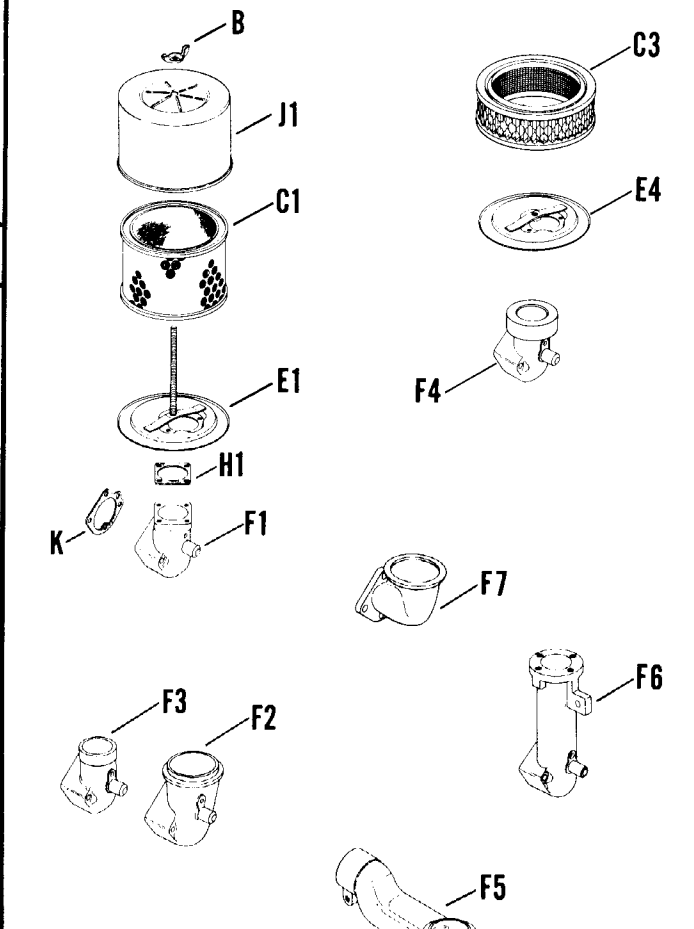
ILLUSTRATION ON GRID A12 A13

1

## AIR INTAKE



INDEX LTR.	DESCRIPTION VARIATION NUMBER	PART NUMBER	QTY.
D	Precleaner, element (May be used with filter element 45 083 02)	45 083 01	1
	Precleaner, element (May be used with filter element 277138)	277593	1
E1	Base, air cleaner 5,6,14,17,23,26,27,31,600, 601	277071	1
	22	45 094 01	1
	Base, air cleaner (Discontinued--Not Available) 21	277692	1
E2	Base, air cleaner 9	267698	1
E3	Base, air cleaner 12	235123	1
E4	Base, air cleaner 16,30	277527	1
E5	Base, air cleaner 28,33	48 201 02	1

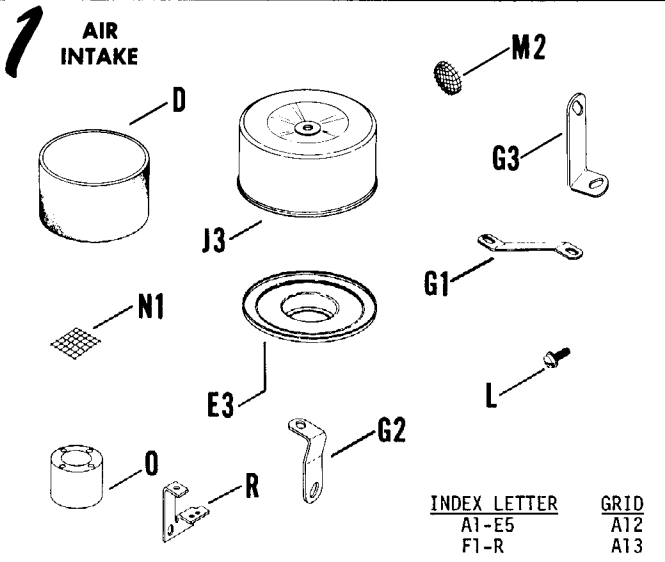


INDEX LTR.	DESCRIPTION VARIATION NUMBER	PART NUMBER	QTY.
Use stock of original part number before ordering replacement.			
A1	Cleaner, air 7	151834	1
A2	Cleaner, air 8	A-271645	1
A3	Cleaner, air - assembly (Includes B,C2,E2 & J2) 9	A-275789	1
B	Nut, wing 1/4 - 20 5,6,7,9,12,14,17,21,22,23, 26,27,28,31,33,600	X-276-7	1
C1	Element, air cleaner 5,6,12,14,17,23,26,27,31, 600	277138	1
	21,22,30	45 083 02	1
C2	Element, air cleaner 9	267502	1
C3	Element, air cleaner 16	235116	1
C4	Element, air cleaner 28,33	47 083 03	1

INDEX LETTER	GRID
A1-E5	A12
F1-R	A13

## AIR INTAKE

1



INDEX LTR.	DESCRIPTION VARIATION NUMBER	PART NUMBER	QTY.
J2	Cover, air cleaner 9	267705	1
J3	Cover, air cleaner 16,21,30	235102	1
J4	Cover, air cleaner 28,33	48 082 01	1
K	Gasket, elbow 5,6,7,8,9,11,14,15,16,17, 21,22,23,26,27,28,30,31, 33,35,600	277069	1
L	Screw, F.H.M. #10 - 32 x 5/16 5,6,16,17,21,22,23,28,30, 31,33	X-167-2	4
M	Stud, cleaner 7,12 16	220314 277522	1 1

INDEX LTR.	DESCRIPTION VARIATION NUMBER	PART NUMBER	QTY.
F1	Elbow, air cleaner 5,6,11,15,16,17,30,31,601 28,33 35	277070 48 054 01 48 054 07	1 1 1
F2	Elbow, air cleaner (Discontinued--Not Available) 7	277336	1
F3	Elbow, air cleaner 8	277396	1
F4	Elbow, air cleaner 9	277340	1
F5	Elbow, air cleaner 12	277319	1
F6	Elbow, air cleaner 14,26,27	277456	1
F7	Elbow, air cleaner 21,22,23	277700	1
G1	Brace, elbow 5,6,7,8,9,11,16,17,21,22, 23,28,30,31,33,35,600,601	277116	1
G2	Brace, elbow 12	277318	1
G3	Brace, elbow 14,26,27	277457	1
H1	Gasket, air cleaner 5,6,14,15,16,17,21,22,23,26, 27,28,30,31,33,600,601	277093	1
H2	Gasket, air cleaner 12	AC-1787	1
J1	Cover, air cleaner 5,6,12,14,17,23,26,27,31, 600,601 22	277142 45 082 01	1 1

N1	Screen (Replaced by 48 162 05) 5,6,7,8,9,11,12,14,15,16,17, 26,27,28,600	277492	1
N2	Screen 21,22,23,30,31,35	48 162 05	1
O	Adapter (Discontinued--Not Available) 15	277221	1
P	Tube, air cleaner 28	41 134 01	1
Q	Seal, cover 28,33	47 032 03	1
R	Support, air cleaner 28	48 161 01	1

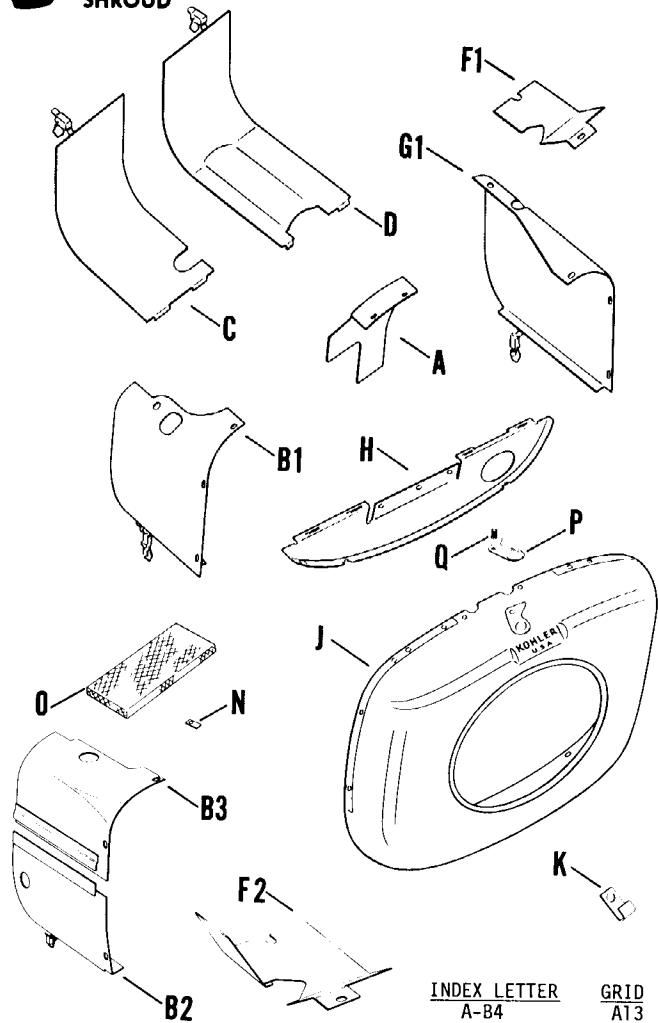
**BAFFLES AND SHROUD**

**ILLUSTRATION ON GRID A14**

INDEX LTR.	DESCRIPTION VARIATION NUMBER	PART NUMBER	QTY.
Use stock of original part number before ordering replacement.			
A	Baffle, #1 upper cylinder 3,5,6,7,9,10,11,13,14,15, 16,17,19,20,21,24,25,28, 29,30,31,33	277054	1
B1	Baffle, #1 cylinder head 3,5,6,7,9,10,11,13,14,15, 16,17,19,20,24,25,28,29, 30,31,33	277051	1
B2	Baffle, #1 cylinder head (lower) 21	48 124 02	1
B3	Baffle, #1 cylinder head (upper) 21	48 124 03	1
B4	Baffle, side cylinder #1 27	48 063 06	1

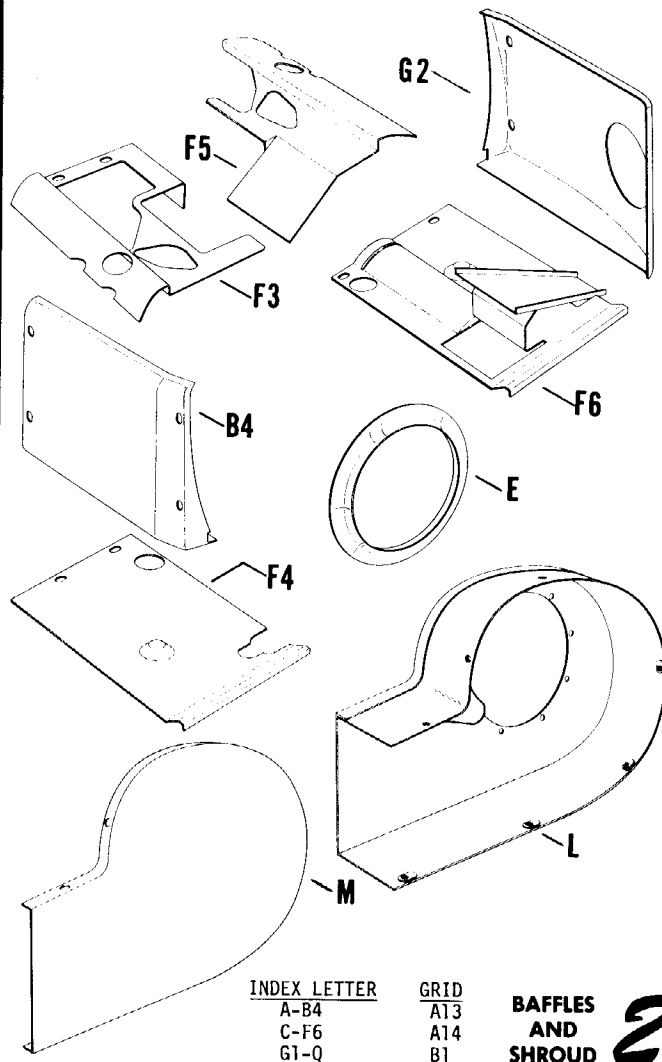


**2** BAFFLES AND SHROUD



INDEX LETTER	GRID
A-B4	A13
C-F6	A14
G1-Q	B1

INDEX LTR.	DESCRIPTION VARIATION NUMBER	PART NUMBER	QTY.
F1	Baffle (Replaced by 48 063 01) 3,5,6,7,11,13,17,19,20,21, 24,33	277057	1
	Baffle 9,10,28,29,30,31	48 063 01	1
F2	Baffle 14,16	277347	1
F3	Baffle, top cylinder #1 27	48 063 05	1
F4	Baffle, bottom cylinder #1 27	48 063 07	1
F5	Baffle, top cylinder #2 27	48 063 02	1
F6	Baffle, bottom cylinder #2 27	48 063 04	1



INDEX LETTER	GRID
A-B4	A13
C-F6	A14
G1-Q	B1

**BAFFLES AND SHROUD** **2**

INDEX LTR.	DESCRIPTION VARIATION NUMBER	PART NUMBER	QTY.
C	Baffle, #1 barrel 3,5,6,7,9,10,11,13,14,15, 16,17,20,21,25,28,29,30, 31,33	277048	1
	19,24	277652	1
D	Baffle, #2 barrel 3,7,13,19,20,21,24,31,33	277168	1
	5,6,9,10,14,15,17,25,28, 29,30	277138	1
	11	277409	1
	16	277578	1
E	Baffle, air inlet 9,10,14,15,16,25,28,29,30	275812	1

# 2.3

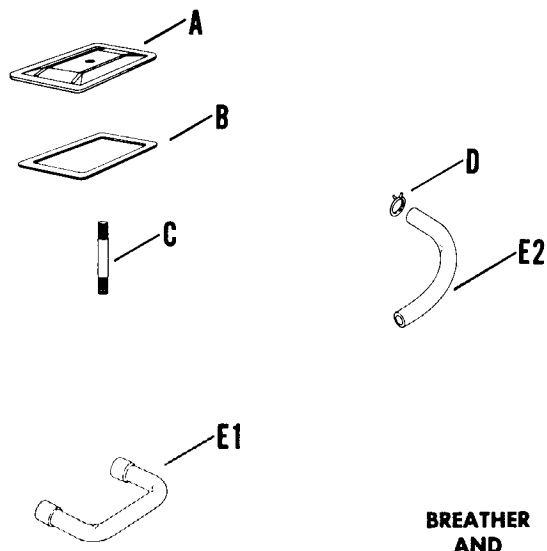
## K482-K532-K582

ILLUSTRATION ON GRID A14

INDEX LTR.	DESCRIPTION VARIATION NUMBER	PART NUMBER	QTY.	INDEX LTR.	DESCRIPTION VARIATION NUMBER	PART NUMBER	QTY.
G1	Baffle, #2 cylinder head (Replaced by 48 124 04) 3,5,6,9,10,15,16,17,20,24, 33	277534	1				
	Baffle, #2 cylinder head 11,19,25,29 7,13,14	277050 277211	1 1		Use stock of original part number before ordering replacement.		
	21,28,30,31	48 124 04	1	A	Cover, valve 4,5,6,7,8,9	270036	2
G2	Baffle, side cylinder #2 27	48 063 03	1	B	Gasket, valve cover 4,5,6,7,8,9	270034	2
H	Baffle, blower housing support 3,7,13,16,17,19,20,21,24, 31,33	277230	1	C	Stud, valve cover (Replaced by 220368) 4,6,7,8,9	220043	2
	5,6,9,10,11,14,15,25,28, 29,30	277046	1		Stud, valve cover 1/4 - 20 x 3-1/16 5	277313	2
	27	277058	1	D	Clamp, hose (Replaced by X-426-3) 4,5,7	X-309-10	2
J	Housing, blower 3,5,7,13,17,19,21,24	277056	1		6	X-309-11	2
	6	277309	1		8	X-309-11	1
	10,15,16	277229	1		Clamp, hose 9	X-426-10	2
	11	277423	1	E1	Hose, breather 9-1/16 4,5,7,9	277392	1
	27,31	48 027 04	1	E2	Hose, breather 3/16 6,8	X-484-17	1
	33	48 027 07	1				
	Housing, blower (Includes P & Q) (Replaced by 48 095 02) 9,14,25	A-277525	1				
	Housing, blower (Replaced by 48 027 07) 20	277689	1				
	Housing, blower (Includes P & Q) 28,29,30	48 095 02	1				
K	Clip 6,9,10,11,13,14,15,16	231285	2				
L	Scroll 9,10,14,15,16,25	277228	1				
	28,29,30	48 539 01	1				
M	Cover, scroll 9,14,15,25,28,29,30	275824	1				
	10,16	277304	1				
N	Brace 28,29	41 120 02	2				
O	Screen 28,29	48 162 06	1				
P	Cover, timing hole 9,14,25,28,29,30	270175	1				
Q	Spring, cover 9,14,25,28,29,30	270278	1				

**BREATHER  
AND  
VENT**

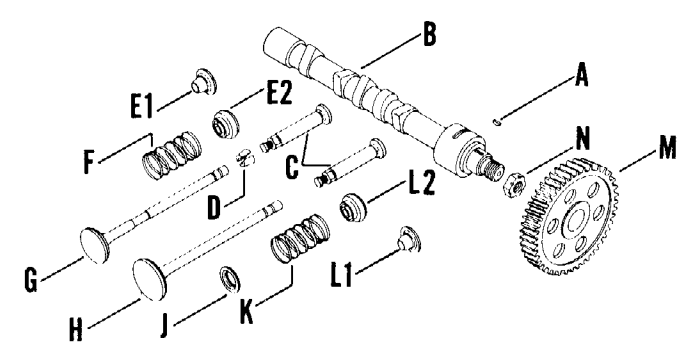
# 3



**BREATHER  
AND  
VENT**

# 3

**4 CAMSHAFT AND VALVES**



INDEX LTR.	DESCRIPTION VARIATION NUMBER	PART NUMBER	QTY.
L1	Retainer, intake valve spring 3,4,8,9	230011	2
L2	Rotator, intake valve spring 5,6,10	230020	2
M	Gear, camshaft 3,4,5,6,8,9,10	277012	1
N	Nut, jam 3/4 - 16 3,4,5,6,8,9,10	X-119-17	1

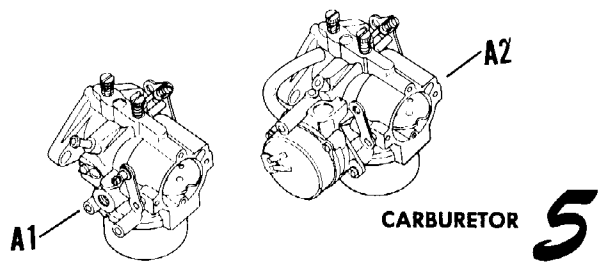
**CARBURETOR 5**

INDEX LTR.	DESCRIPTION VARIATION NUMBER	PART NUMBER	QTY.
------------	------------------------------	-------------	------

	Use stock of original part number before ordering replacement.		
A	Key, woodruff #3 3,4,5,6,8,9,10	X-43-1	1
B	Camshaft (Replaced by 48 012 01) 3,4,5,6,8,9 10	277010 277667	1 1
C	Tappet 3,4,5,6,8,9,10	D-277031	4
D	Keeper, valve 3,4,5,6,8,9,10	240013	8
E1	Retainer, exhaust valve spring 3,8	230011	2
E2	Rotator, exhaust valve spring 4,5,6,9,10	230020	2
F	Spring, exhaust valve 3,8 4,5,6,9,10	235010 235168	2 2
G	Valve, exhaust 3 8 Valve, exhaust (Stellite) 4,5,6 9,10	235826 48 016 01 235838 237672	2 2 2 2
H	Valve, intake 3,4,5,8,9 Valve, intake (Stellite) 6,10	235008 235582	2 2
J	Retainer, valve spring 3,4,5,6,8,9,10	235011	4
K	Spring, intake valve 3,4,8,9 5,6,10	235010 235168	2 2

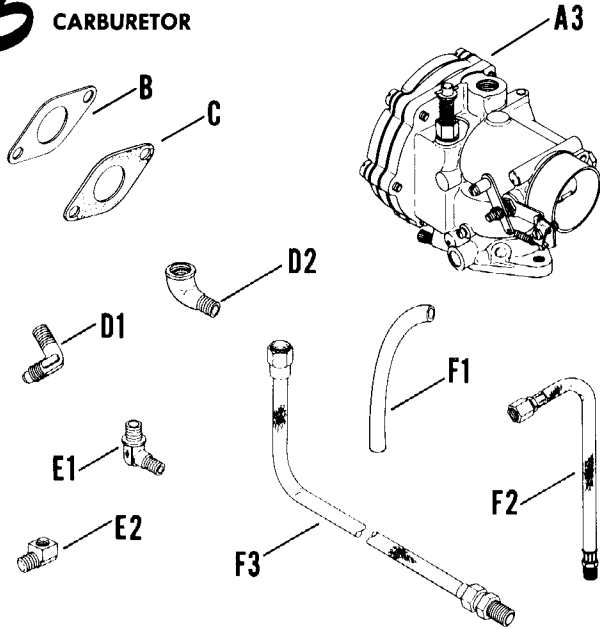
INDEX LTR.	DESCRIPTION VARIATION NUMBER	PART NUMBER	QTY.
------------	------------------------------	-------------	------

	Use stock of original part number before ordering replacement		
A1	Carburetor - assembly (Grid B4) (Replaced by 48 053 07) 1,15,19	C-277061	1
	Carburetor - assembly (Grid B4) (Replaced by 48 053 08) 3,16	A-277373	1
	Carburetor - assembly (Grid B4) (Replaced by 48 053 12) 14	A-277910	1
	Carburetor - assembly (Grid B4) 17,32	48 053 06	1
	18	48 053 11	1
	27	48 053 13	1
	30	48 053 18	1
A2	Carburetor - assembly (Grid B4) (Replaced by 48 053 09) 2,20	48 053 01	1
	Carburetor - assembly (Grid B4) (Replaced by 48 053 10) 4	A-277329	1
	Carburetor - assembly (Grid B4) 22	48 053 03	1
	26	48 053 05	1
	Carburetor - assembly (Grid B4) 23	48 053 10	1
	Carburetor - assembly (Grid B4) (Replaced by 48 053 17) 28	48 053 14	1



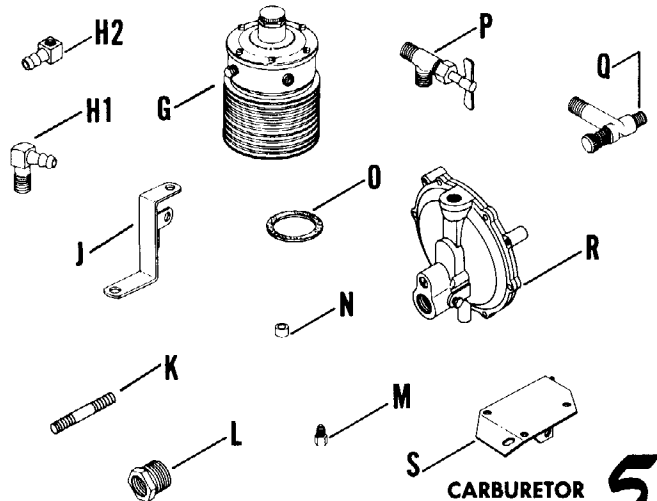
5  
5

CARBURETOR



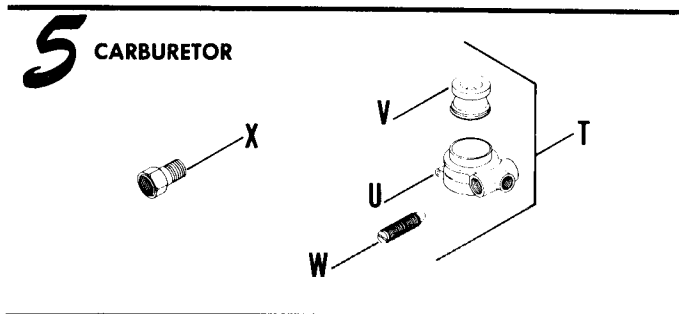
INDEX LTR.	DESCRIPTION VARIATION NUMBER	PART NUMBER	QTY.
A3	Carburetor - assembly (Grid B6) 8,11	A-277321	1
	10	A-277438	1
B	Spacer, carburetor flange 10	277439	2
C	Gasket, carburetor 1,2,3,4,8,11,14,15,16,17, 18,19,20,22,23,26,27,28, 30,32	271030	1
	10	271030	2
D1	Elbow, street 90° 3,4,26,27	X-447-5	1
	11	X-447-1	1
	Elbow (Replaced by X-447-11) 8,10,11	X-447-9	1
D2	Elbow, street 8	EH-2248	1
E1	Elbow 15,32	231510	1
E2	Elbow 28	X-555-2	1
F1	Line, flexible fuel 5-1/4 3,4,26,27	X-386-18	1
F2	Line, flexible fuel 12-1/4 3,4,26,27	235171	1
	Line, flexible fuel 15 8,10	X-446-6	1
	Line, fuel 14-1/8 11	277621	1
	Line, flexible fuel 12-3/16 23	241041	1

INDEX LTR.	DESCRIPTION VARIATION NUMBER	PART NUMBER	QTY.
F3	Line, fuel 16	X-504-12	1
G	Vaporizer 8	271486	1
	10,11	A-277406	1
H1	Connector, hose 1,14,17,18,19,30	X-391-1	1
H2	Connector, hose 3,4,16,23,26,27	X-391-4	1
J	Brace, vaporizer 8,10,11	277314	1
K	Stud 1,3,4,14,15,17,18,19,20, 22,23,26,27,28,30,32	X-352-10	2
L	Bushing, reducer 1/4 I.D. x 3/4 O.D. 3,4	A-105	1
	Bushing, reducer 3/8 x 1/2 3,4,26,27	X-202-28	1
	Bushing, reducer 1/8 x 3/4 26,27	X-202-7	1
M	Coupling 28	X-292-1	1
N	Spacer 1/2 3,4,16,23,26,27	265372	1
	Spacer 1/4 3,4,16,23,26,27	X-400-31	1
O	Gasket, adapter 3,4,16,23,26,27	270550	1
P	Valve, gas 3,4,16,23,26,27	221282	1
Q	Needle, valve (Replaced by 221282) 3,4	7027-1	1
R	Regulator, gas (Includes 151377 Filter) 3,4,16,23,26,27	B-230695	1
S	Bracket, regulator 3,4,16,23,26,27	277454	1



CARBURETOR

5



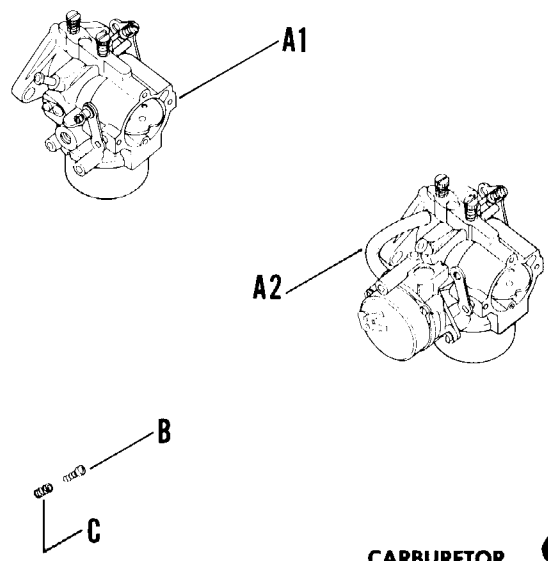
INDEX LTR.	DESCRIPTION VARIATION NUMBER	PART NUMBER	QTY.
T	Adapter, carb. - assembly (Includes U, V & W) 3,4,16,23,26,27	A-236302	1
U	Body, carburetor adapter 3,4,16,23,26,27	270660	1
V	Venturi 3,4,16,23,26,27	270661	1
W	Valve, carburetor needle 3,4,16,23,26,27	270662	1
X	Filter 3,4	151377	1

INDEX LTR.	DESCRIPTION VARIATION NUMBER	PART NUMBER	QTY.
------------	------------------------------	-------------	------

Use stock of original part number before ordering replacement

A1	Carburetor - assembly (Includes B thru O & Q) (Replaced by 48 053 07) 1,15,19	C-277061	1
	Carburetor - assembly (Includes B thru O, Q & S) (Replaced by 48 053 08) 3,16	A-277373	1
	Carburetor - assembly (Includes B thru O) (Replaced by 48 053 12) 14	A-277910	1
	Carburetor - assembly (Includes B,C,D,G thru L,N & Q) 17,32	48 053 06	1
	30	48 053 18	1
	Carburetor - assembly (Includes D thru O & Q) 18	48 053 11	1
	Carburetor - assembly (Includes B thru L,N,O,Q & S) 27	48 053 13	1
	101	48 053 08	1
	Carburetor - assembly (Includes B,D,E,G thru L,N, O & S) 104	48 053 12	1
	Carburetor - assembly (Includes B thru O, Q & S) 106	48 053 07	1

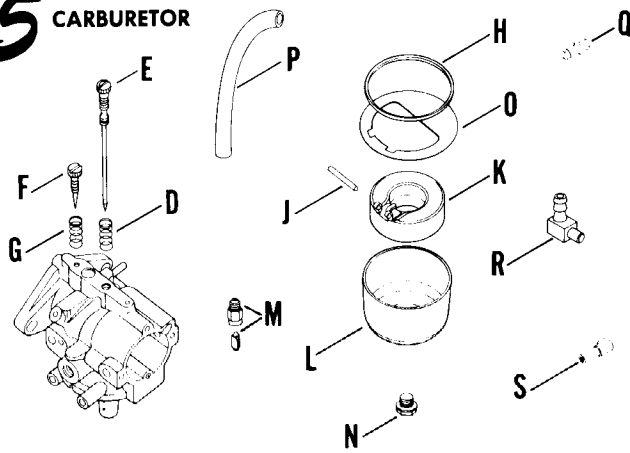
INDEX LTR.	DESCRIPTION VARIATION NUMBER	PART NUMBER	QTY.
A2	Carburetor - assembly (Includes B thru P & R) (Replaced by 48 053 09) 2,20	48 053 01	1
	Carburetor - assembly (Includes B thru P, R & S) (Replaced by 48 053 10) 4	A-277329	1
	Carburetor - assembly (Includes B thru L,N,O,P,R & S) 22	48 053 03	1
	26	48 053 05	1
	Carburetor - assembly (Includes B thru L,N,O,P & S) 28	48 053 14	1
	Carburetor - assembly (Includes B thru L,N,O,P & S) 23	48 053 10	1
	105	48 053 09	1
	(Includes B thru L,N,O,P,S, T & U) 103	48 053 17	1
	Carburetor - assembly (Includes B thru L,N,O,P & S) (Replaced by 48 053 17) 28	48 053 14	1
B	Screw, idle speed adjusting 1,2,3,4,14,15,16,17,19,20, 22,23,26,27,28,30,32,101, 102,103,104,105,106	234945	1
C	Spring, idle speed adjusting 1,2,3,4,14,15,16,17,19,20, 22,23,26,27,28,30,32,101, 102,103,105,106	200380	1



CARBURETOR 5

5  
5

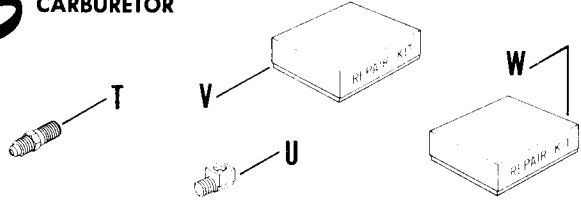
CARBURETOR



INDEX LTR.	DESCRIPTION VARIATION NUMBER	PART NUMBER	QTY.
H	Gasket, fuel bowl 1,2,3,4,14,15,16,17,18,19, 20,22,23,26,27,28,30,32,101, 102,103,104,105,106	200375	1
J	Pin, float hinge 1,2,3,4,14,15,16,17,18,19, 20,22,23,26,27,28,30,32,101, 102,103,104,105,106	200376	1
K	Float 1,2,3,4,14,15,16,17,18,19, 20,22,23,26,27,28,30,32,101, 102,103,104,105,106	200408	1
L	Bowl, fuel 1,2,3,4,14,15,16,17,18,19, 20,22,23,26,27,28,30,32,101, 102,103,104,105,106	235448	1
M	Needle and seat (Replaced by 231555) (Use 47 107 01 after serial no. 6373502) (For other vari- ations see index letter W) 1,14,15,19	200443	1
	Needle and seat (Replaced by 231555) (Use 47 107 01 after serial no. 7030713) (For other variations see index letter W) 2,20	200443	1
	Needle and seat (Replaced by 231555) (Use 221519 after serial no. 7059560) (For other variations see index letter W) 3,16	200443	1
	Needle and seat (Replaced by 231555) (Use 221519 after serial no. 7128448) (For other varia- tions see index letter W) 4	200443	1
	Needle and seat (Replaced by 221519) (For other variations see index letter W) 18,106	47 107 01	1
N	Nut, fuel bowl 1,2,3,4,14,15,16,18,19,20, 22,23,26,27,28,101,102,103, 104,105,106	235447	1
O	Gasket, anti-splash 1,2,3,4,14,15,16,17,18,19, 20,22,23,26,27,28,30,32,101, 102,103,104,105,106	200439	1
P	Line, flexible fuel 3 2,4,20,22,26,28,102,103,105 X-697-6		1
Q	Clamp, swivel wire (Replaced by 48 237 01) 1,3,15,16,18,19,27,30	231052	1
	Clamp, swivel wire 17,32,101,106	48 237 01	1
R	Connector, hose 2,4,20,22,26	X-391-9	1
S	Body, ball joint 3,4,16,22,23,26,27,28,101, 102,103,104,105,106	45 208 03	1

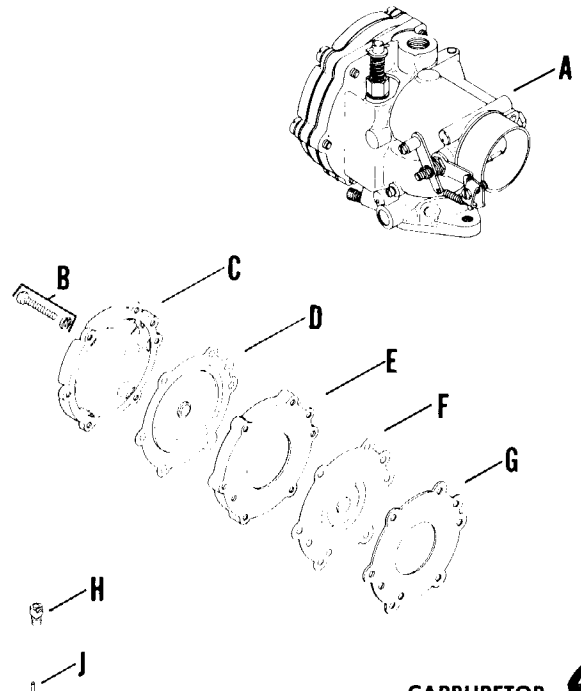
INDEX LTR.	DESCRIPTION VARIATION NUMBER	PART NUMBER	QTY.
D	Spring, main fuel adjusting needle 1,2,3,4,14,15,16,17,18,19, 20,22,23,26,27,28,30,32, 101,102,103,104,105,106	200383	1
E	Needle, main fuel adjusting (Use 47 103 01 after serial no. 6373502) 1,14,15,19	277177	1
	Needle, main fuel adjusting (Use 47 103 01 after serial no. 7030713) 2,20	277177	1
	Needle, main fuel adjusting (Use 47 103 01 after serial no. 7059560) 3,16	277177	1
	Needle, main fuel adjusting (Use 47 103 01 after serial no. 7128448) 4	277177	1
	Needle, main fuel adjusting 18,101,102,104,105,106	47 103 01	1
	22,26,27,28,103	235415	1
F	Needle, idle fuel adjusting 1,2,3,4,14,15,16,18,19,20, 22,23,26,27,28,101,102,103, 105,106	277210	1
G	Spring, idle fuel adjusting needle 1,14,15,17,18,19,22,26,27, 28,30,32,101,102,103,104, 105,106	200380	1
	2,20,23	200383	1
	Spring, idle fuel adjusting needle (Use 200380 after serial no. 7059560) 3,16	200383	1
	Spring, idle fuel adjusting needle (Use 200380 after serial no. 7128448) 4	200383	1

**5 CARBURETOR**



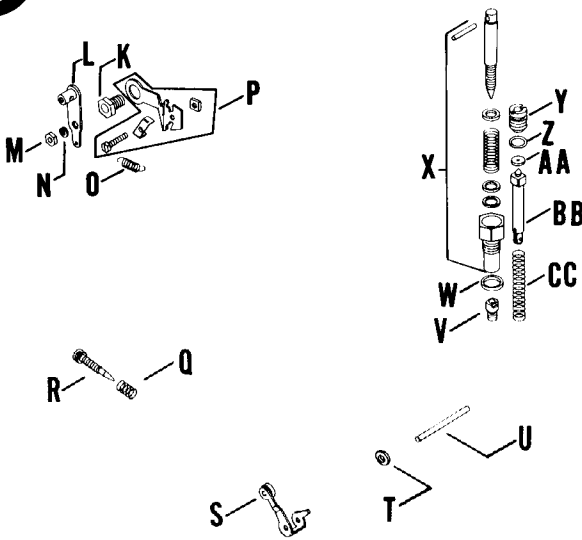
INDEX LTR.	DESCRIPTION VARIATION NUMBER	PART NUMBER	QTY.
T	Connector 103	X-296-1	1
U	Elbow 103	X-555-2	1
V	Repair kit, automatic choke (Includes heater housing, pin, gasket, baffle, screws, retainers, link, lever and pin assembly) (Use after serial no. 6373502) 1,14,15,19	277469	1
	Repair kit, automatic choke (Includes heater housing, pin, gasket, baffle, screws, retainers, link, lever and pin assembly) 2,4,18,20,22,23,26,28,102, 103,105,106	277469	1
W	Repair kit, carburetor (Use 221519 after serial no. 6373502) (Includes bowl nut gasket, bowl ring gasket, float pin, bowl gasket & needle with seat & gasket) 1,14,15,19	231555	1
	Repair kit, carburetor (Use 221519 after serial no. 7030713) (Includes bowl nut gasket, bowl ring gasket, float pin, bowl gasket & needle with seat & gasket) 2,20	231555	1
	Repair kit, carburetor (Use 221519 after serial no. 7059560) (Includes bowl nut gasket, bowl ring gasket, float pin, bowl gasket & needle with seat & gasket) 3,16	231555	1
	Repair kit, carburetor (Use 221519 after serial no. 7128448) (Includes bowl nut gasket, bowl ring gasket, float pin, bowl gasket & needle with seat & gasket) 4,102	231555	1
	Repair kit, carburetor (Includes bowl nut gasket, bowl ring gasket, float pin, bowl gasket & needle with seat & gasket) 17,18,23,26,27,28,30,32, 101,103,104,105,106	221519	1
	22	231555	1

INDEX LTR.	DESCRIPTION VARIATION NUMBER	PART NUMBER	QTY.
Use stock of original part number before ordering replacement.			
A	Carburetor - assembly (Includes B thru KK) 8,11	A-277321	1
	10	A-277438	1
B	Screw and split washer #10 - 32 (Discontinued--Not Available) 8,10,11	277906	6
C	Cover, diaphragm (Discontinued--Not Available) 8,11	277487	1
	10	277899	1
D	Diaphragm, outer 8,10,11	272078	1
E	Spacer, diaphragm 8,10,11	272077	1
F	Diaphragm, inner 8,10,11	272076	1
G	Gasket, diaphragm to body 8,10,11	272075	1
H	Screw, set #8-32 8,10,11	272074	1
J	Plug, nylon 8,11	272073	1
	Plug, nylon (Discontinued--Not Available) 10	270083	1

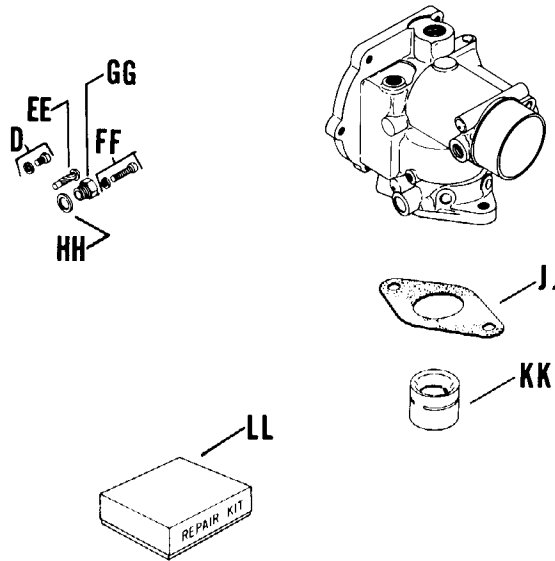


**5**  
**5**

**CARBURETOR**



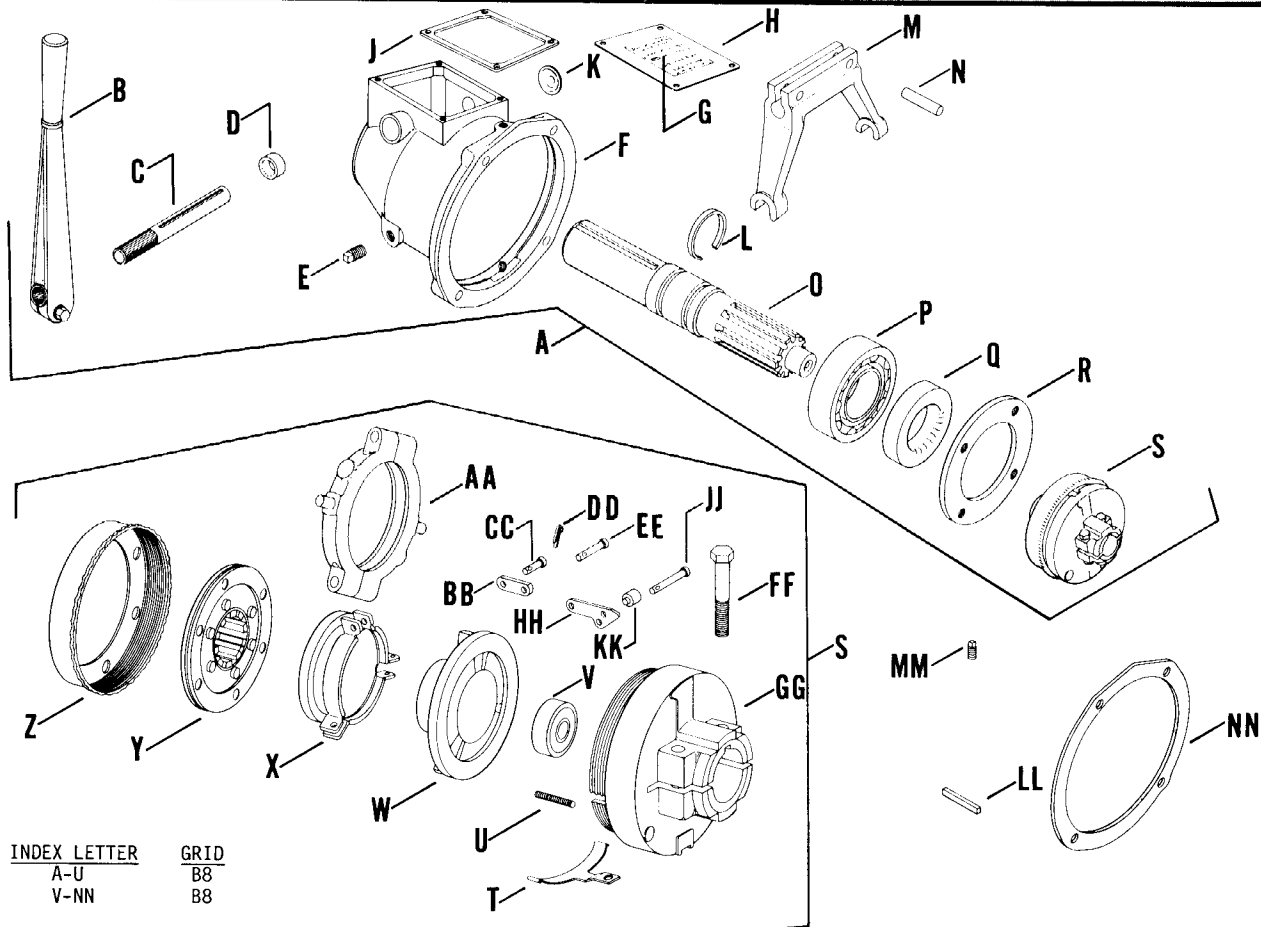
INDEX LTR.	DESCRIPTION VARIATION NUMBER	PART NUMBER	QTY.
Y	Orifice, inlet 8,10,11	272072	1
Z	"O" ring 8,10,11	272314	1
AA	Disc, valve 8,10,11	277898	1
BB	Valve, fuel 8,11	272069	1
	Valve, fuel (Discontinued--Not Available) 10	277897	1
CC	Spring, fuel valve 8,10,11	272071	1
DD	Plug 8,10,11	272093	1
EE	Plug, cap 8,10,11	272064	1
FF	Screw and split washer 8,10,11	277894	1
GG	Plug 3/8 - 24 8,10,11	272112	1
HH	Washer 8,10,11	A-1579	1
JJ	Gasket, flange 8,10,11	272184	1
KK	Venturi (Discontinued--Not Available) 8,10,11	277893	1
LL	Repair kit, carburetor 8,10,11	277896	1
K	Screw, bracket 8,10,11	277891	1
L	Lever, stamped 8,10,11	272105	1
M	Nut #8 - 36 8,10,11	271890	1
N	Washer, split 8,10,11	X-19-1	1
O	Spring, return 8,10,11	271892	1
P	Bracket 8,11	272107	1
	Bracket (Discontinued--Not Available) 10	277900	1
Q	Spring 8,10,11	270702	1
R	Needle, idle adjusting 8,10,11	272081	1
S	Lever, diaphragm 8,10,11	272067	1
T	Washer (Discontinued--Not Available) 8,10,11	A-1578	1
U	Axel, lever 8,10,11	272068	1
V	Jet, main (Discontinued--Not Available) 8,10,11	277895	1
W	Washer 8,10,11	272066	1
X	Adjustment, jet 8,10,11	272082	1



**CARBURETOR 5**



**6** CLUTCH



INDEX LTR.	DESCRIPTION VARIATION NUMBER	PART NUMBER	QTY.	INDEX LTR.	DESCRIPTION VARIATION NUMBER	PART NUMBER	QTY.
A	Clutch - assembly (Includes B thru S) 1	B-274041	1	L	Ring, snap 1	234037	2
B	Lever, shifting 1	A-234026	1	M	Yoke, clutch 1	A-234027	1
C	Shaft, yoke 1	274117	1	N	Pin, roll 1	274101	1
D	Seal, oil 1	X-271-19	1	O	Shaft, drive 1	234039	1
E	Plug, pipe 1/4 1	X-75-2	2	P	Bearing, ball 1	234035	1
F	Housing, power take-off 1	234074	1	Q	Seal, oil 1	234038	1
G	Plate, instruction 1	234089	1	R	Plate, bearing retainer 1	234036	1
H	Cover, clutch 1	234032	1	S	Clutch - assembly (Includes T thru KK) 1	A-234075	1
J	Gasket, clutch cover 1	234033	1	T	Lock adjusting 1	234043	1
K	Plug, welch 1-1/4 1	X-230-14	1	U	Spring, return 1	234055	3

# 6.7

## K482-K532-K582

ILLUSTRATION ON GRID B8

INDEX LTR.	DESCRIPTION VARIATION NUMBER	PART NUMBER	QTY.	INDEX LTR.	DESCRIPTION VARIATION NUMBER	PART NUMBER	QTY.
V	Bearing, pilot 1	234042	1	EE	Pin, link (Long) 1	234051	3
W	Plate, pressure 1	A-234045	1	FF	Screw (Discontinued--Not Available) 1	234145	1
X	Sleeve, release 1	234054	1	GG	Housing, clutch 1	234041	1
Y	Member, driven 1	A-234044	1	HH	Lever, pressure plate 1	234046	6
Z	Ring, adjusting 1	234056	1	JJ	Pin, lever 1	234047	3
AA	Bearing, release 1	A-234053	1	KK	Roller 1	234048	3
BB	Link, connecting 1	234050	6	LL	Key, square 1	X-286-8	1
CC	Pin, link (Short) 1	234052	3	MM	Plug, vent 1	270219	1
DD	Pin, cotter 1/16 x 3/8 1	X-36-4	6	NN	Gasket, clutch 1	274042	1

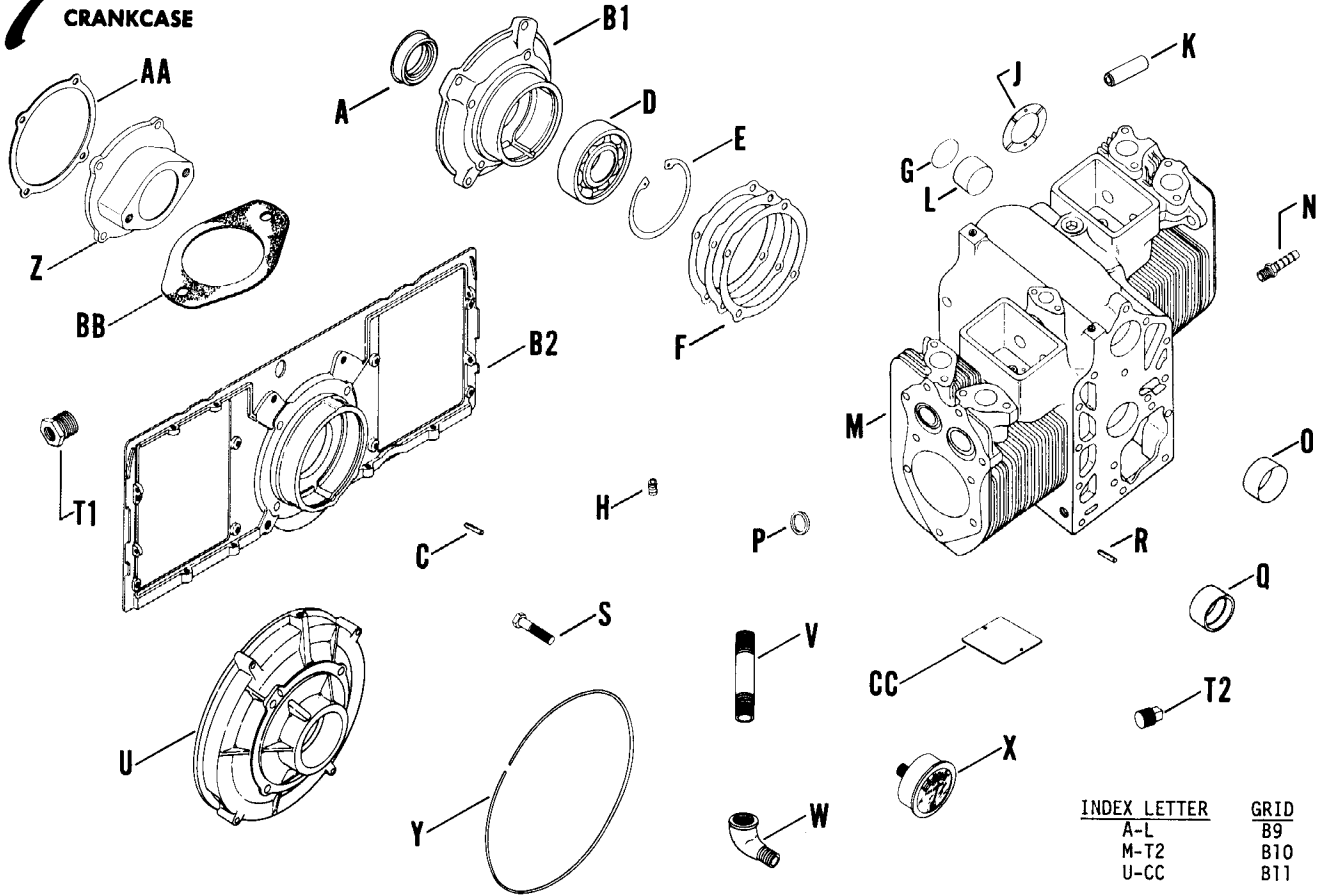
# 7

## CRANKCASE

ILLUSTRATION ON GRID B10

INDEX LTR.	DESCRIPTION VARIATION NUMBER	PART NUMBER	QTY.	INDEX LTR.	DESCRIPTION VARIATION NUMBER	PART NUMBER	QTY.
	Use stock of original part number before ordering replacement.			F	Gasket, closure plate 5,6,7,9,10,14,15,17,18,19, 20,23,24,25,26,30,38,39,40, 46,48,49,51,200,201	277087	1
A	Seal, rear oil ALL (except 46)	277065	1		Gasket, closure plate .005 7,9,10,14,15,25,39	277103	A.R.
B1	Plate, rear closure 5,6,17,18,19,20,26,40,48, 49,51	48 009 01	1		Gasket, closure plate .010 7,9,10,14,15,25,39	277115	A.R.
	9,14	277006	1	G	Plug, Welch 1-1/2 ALL	160037	1
	10,25	277199	1	H	Plug, pipe 1/8 5,6,15,17,18,24,201	X-75-23	3
	38	48 009 04	1		7,9,10,19,20,23,25,30, 40,200	X-75-23	4
	46	48 009 09	1		14	X-75-23	6
	200,201	277002	1		39	X-75-23	1
	Plate, rear closure (Replaced by 48 009 03) 23,24	277670	1		Plug, pipe 3/4 5,7,9,10,14,15,17,18,19,20, 23,24,25,39,40,200,201	X-75-31	1
B2	Plate, rear closure 30	48 009 05	1		30	X-75-31	2
C	Pin, drive lock 7,9,10,14,15,25,39	277134	4	J	Washer, thrust 7,9,10,14,15,25,39	277121	2
D	Bearing, ball 5,6,17,18,19,20,23,24,26,30, 38,40,46,48,49,51,200,201	277062	1	K	Guide, valve ALL	235007-S	4
E	Ring, retaining 4-23/64 O.D. 5,6,17,18,19,20,23,24,30, 38,40,46,48,49,51,200,201	X-269-31	1	L	Bushing, rear camshaft ALL	277039	1

**7 CRANKCASE**



INDEX LETTER	GRID
A-L	B9
M-T2	B10
U-CC	B11

INDEX LTR.	DESCRIPTION VARIATION NUMBER	PART NUMBER	QTY.	INDEX LTR.	DESCRIPTION VARIATION NUMBER	PART NUMBER	QTY.
M	Crankcase - assembly (Replaced by 48 005 04) (Includes K,L,O,P & one Q) 5,6,7,9,10,14,15,17,19, 23,200	A-277118	1		(Q-CONTINUED)		
	Crankcase - assembly (Includes K & P) 18,20,24,26,30,40,48	48 005 05	1		Bearing, crankshaft .010 U.S.	277529	
	Crankcase - assembly (Includes K,L,O,P & one Q) (Replaced by 48 005 02) 25,201	A-277633	1		Bearing, crankshaft .020 U.S.	277530	
	38,39,46,49,51	48 005 06	1	R	Bearing, crankshaft 7,9,10,14,25,39	277208	2
N	Connector, hose 17,20,51	X-380-1	1		Bearing, crankshaft .010 U.S.	277529	
O	Bushing, front camshaft ALL	277038	1		Bearing, crankshaft .020 U.S.	277530	
P	Insert, valve 5,6,7,9,10,14,15,17,19, 23,39,200	230170	2	S	Pin ALL (except 26,30)	X-599-2	2
	18,20,24,25,26,30,38,39, 40,46,48,49,51,201	230265	2		Screw, hex. hd. 3/8 - 16 x 1-1/4 5,6,7,9,10,15,17,18,19,20, 23,24,25,26,38,40,46,48,49, 51,200,201	270956	4
Q	Bearing, crankshaft 5,6,15,17,18,19,20,23,24, 26,30,38,40,46,48,49,51, 200,201	277208	1		Screw, hex. hd. 3/8 - 16 x 1-1/2 30	270158	4
				T1	Bushing, reducer 17	X-202-7	1
				T2	Bushing 20,51	48 158 01	1

# 7.8

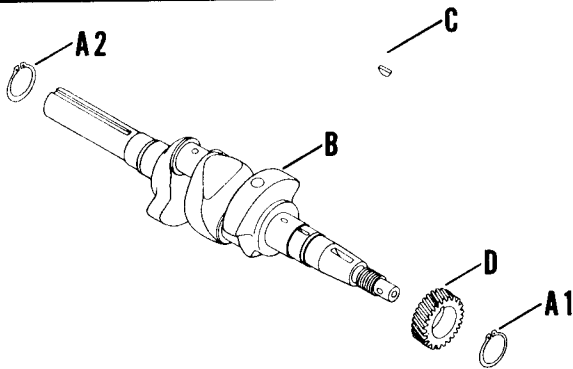
## K482-K532-K582

ILLUSTRATION ON GRID B10

INDEX LTR.	DESCRIPTION VARIATION NUMBER	PART NUMBER	QTY.	INDEX LTR.	DESCRIPTION VARIATION NUMBER	PART NUMBER	QTY.
U	Bracket, generator support (Replaced by 277263) 7,15,39	48 126 03	1	(B-CONTINUED)			
V	Nipple 39	X-217-7	1		8,14	277200 (3)	1
W	Elbow 20,25,30,38,40,46,51	X-211-10	1		11	277360 (4)	1
	Elbow, street 45° 39	X-274-4	1		12	277433	1
X	Gauge, oil pressure 7,39	240981	1		15,21	277531	1
Y	Guard, generator fan 7,15,39	241122	1		17	277465	1
Z	Adapter, pump 46	48 029 03	1		24	277659	1
AA	Gasket, adapter 46	48 041 04	1		25	277624 (5)	1
BB	Gasket, pump 46	48 041 05	1		27	277912	1
CC	Plate 46	48 146 02	1		28	277638	1
					29	277690	1
					30	277696 (9)	1
					31	48 014 01 (6)	1
					32	48 014 02 (7)	1
					39	48 014 05	1
					40	48 014 06	1
					41	48 014 11	1
					53	48 014 13	1

# 8

## CRANKSHAFT

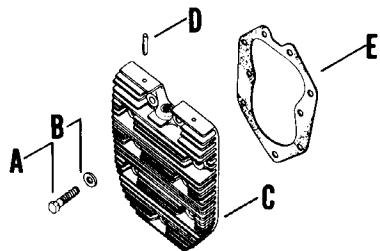


INDEX LTR.	DESCRIPTION VARIATION NUMBER	PART NUMBER	QTY.
Use stock of original part number before ordering replacement.			
A1	Ring, retaining 1-7/16 I.D. ALL	X-269-32	1
A2	Ring, retaining 1-5/8 I.D. 3,4,11,13,17,21,24,25,27, 28,29,31,39,40,41,53	X-269-30	1
B	Crankshaft 2	277004 (1)	1
	3	277335	1
	5	277145 (8)	1

	Crankshaft (Replaced by 277360) 4,13	277005	1
	Crankshaft (Discontinued--Not Available) 9	277386	1
	34	48 014 04	1
C	Key, woodruff ALL (except 53)	X-42-15	1
D	Gear, crankshaft ALL	277009	1

- (1) Pump - K482
- (2) Standard - K482
- (3) Clutch - K482
- (4) Standard, tapped - K482
- (5) Standard - K532 & K582
- (6) Standard, tapped - K532 & K582
- (7) Clutch - K532
- (8) Generator Set - K482
- (9) Generator Set - K582

# 9 CYLINDER HEAD



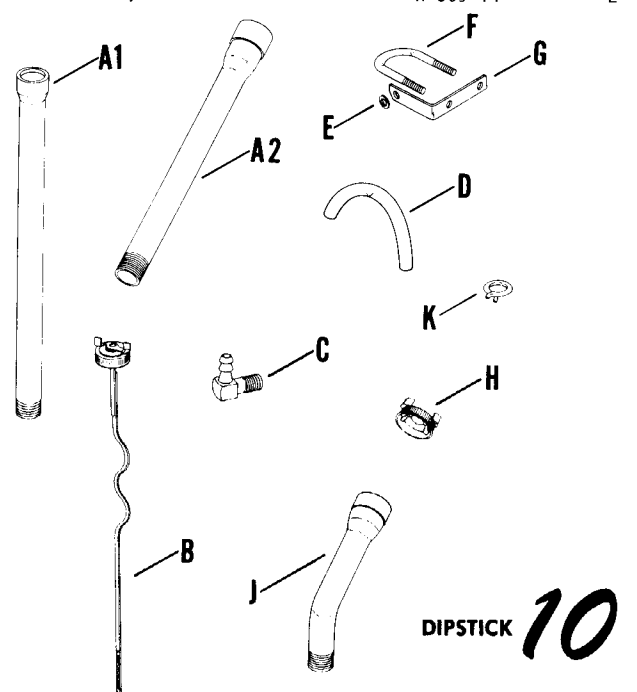
INDEX LTR.	DESCRIPTION VARIATION NUMBER	PART NUMBER	QTY.
Use stock of original part number before ordering replacement.			
A	Screw, hex. hd. 3/8 - 16 x 1-1/2 1,3,6,7,8	270158	18
	2,9	270158	17
	Screw, hex. hd. 3/8 - 16 x 1-15/16 2,9	272427	1
B	Washer 3/8 1,3,6,7,8	270889	18
	2,9	270889	19
C	Head, cylinder 1,2,6,9	277043	2
	3,7	277377	2
	8	48 015 01	2
D	Pin, roll 3/16 x 1-1/8 1,2,3,6,7,9	X-280-13	2
E	Gasket, cylinder head 1,2,3	277088	2
	Gasket, cylinder head (Replaced by 48 052 01) 6,7,8,9	277630	2

# 10 DIPSTICK

INDEX LTR.	DESCRIPTION VARIATION NUMBER	PART NUMBER	QTY.
Use stock of original part number before ordering replacement.			
A1	Tube, dipstick 9-5/8 4,22,23	271829	1
	Tube, dipstick 17-1/2 5,21	277403	1
A2	Tube, dipstick 11-5/8 8	271825	1
	Tube, dipstick 14-15/16 9,10	48 538 01	1

INDEX LTR.	DESCRIPTION VARIATION NUMBER	PART NUMBER	QTY.
B	Dipstick 12-1/4" blade 4,22,23	277357	1
	Dipstick 16-1/2" blade 5,21	277401	1
	Dipstick 14-1/4" blade 8	277668	1
	Dipstick 15-3/4" blade 9	48 272 02	1
	Dipstick 15-11/32" blade 10	48 272 01	1

C	Connector 5,21	X-391-1	1
D	Line, fuel 7	X-386-19	1
E	Spacer 5,21	X-400-64	1
F	Bolt, "U" 5,21	X-397-6	1
G	Bracket, dipstick tube 5,21	277431	1
H	Cap, oil fill 21,22,23	277442	1
J	Tube, oil fill 21,22,23	277140	1
K	Clamp, hose (Replaced by X-426-9) 5,21	X-309-14	2

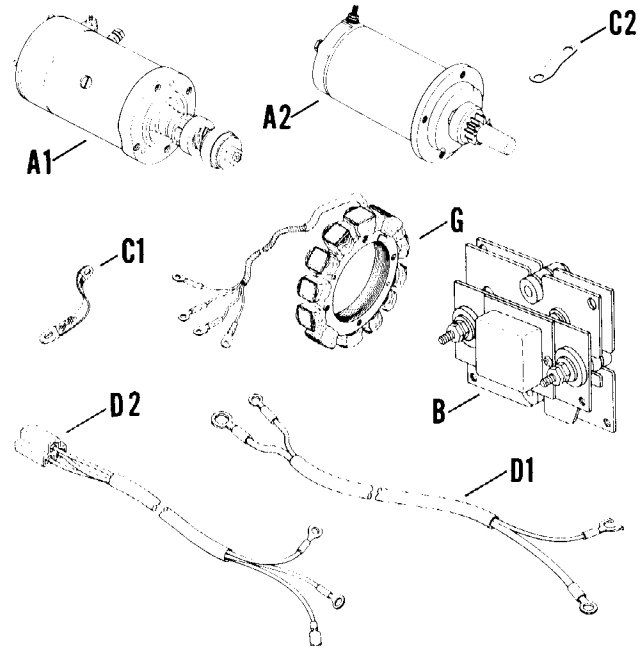


DIPSTICK 10

11

K482-K532-K582

11 ELECTRIC START



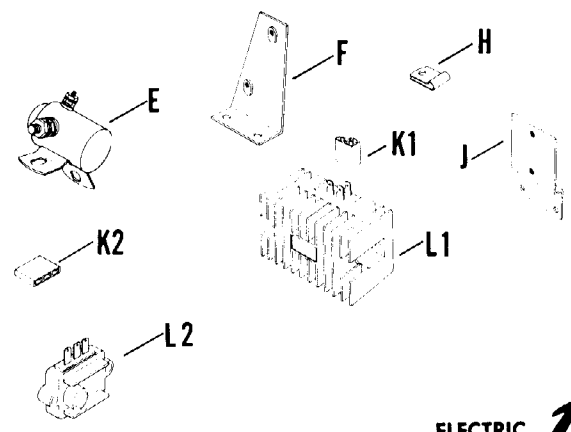
INDEX LTR.	DESCRIPTION VARIATION NUMBER	PART NUMBER	QTY.
E	Solenoid 4,8,9,11,13,14,15,16,18, 20,22,24,26,27,28,32,33, 38,39,40,50,51,52,53	243823	1
F	Bracket, voltage regulator 13,14,20,22,27,28,32,50, 51,52,53	277407	1
G	Stator, alternator 4,13,14,15,18,20,24,28, 50,51,53	277166	1
	8,16,19	277063	1
	21,26,29,32,33,36,38,39, 40,45,52	237878	1
	22	277618	1
	Stator, alternator (Replaced by 237878) 27	237330	1
H	Clip, cable (plastic coated) 4,14,19,20,21,22,26,27,32, 33,36,38,39,40,45,52	270154	2
	8,15,18,24,29	270154	1
	Clip, cable 8,15,18,24	X-672-7	1
	13,16,28,50,51,53	X-672-7	2

INDEX LTR.	DESCRIPTION VARIATION NUMBER	PART NUMBER	QTY.
------------	------------------------------	-------------	------

Use stock of original part number before ordering replacement.

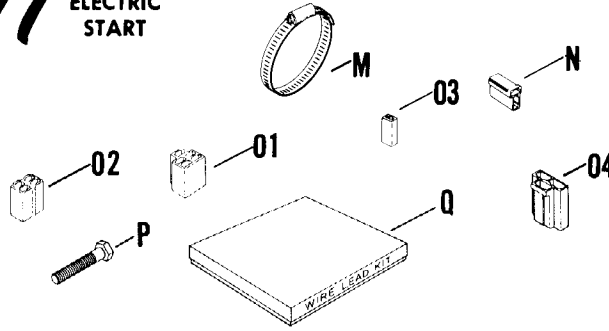
A1	Starter - assembly (Grid B14) (Replaced by A-277214-S Kit) (Use A-277599 after serial no. 4216125) 4,8,9,13,14,15,16,18,19, 20,22,50,51	A-277214	1
A2	Starter - assembly (Grid C1) (SMH12C1) (Use A-277214-S kit prior to serial no. 4216126) 11,21,24,26,27,28,29,32, 33,36,38,39,40,45,52,53	A-277599	1
B	Regulator 4,8,13,14,15,16,18,19,20, 22,24,28,50,51,53	277064	1
C1	Strap, lead 9,24	200521	1
C2	Strap, lead 15,16	277196	1
D1	Lead (Discontinued--Not Available) 4,8,14,20,24,26,50,51	48 518 01	1
	15	277601	1
D2	Lead (Discontinued--Not Available) 15,24	A-277555	1
	Lead (Discontinued--Not Available) 50,51,53	A-277569	1

J	Bracket, solenoid 4,8,9,11,14,18,20,24,26,28, 32,33,38,39,40,45,50,51,52, 53	48 126 02	1
K1	Connector 21,26,27,29,32,33,40,45,52	237429	1
K2	Connector 36,38,39	236602	1
L1	Rectifier-regulator 21,26,27,29,32,33,40,45,52	237335	1
L2	Rectifier-regulator 36,38,39	41 403 01	1



ELECTRIC START 11

**11 ELECTRIC START**



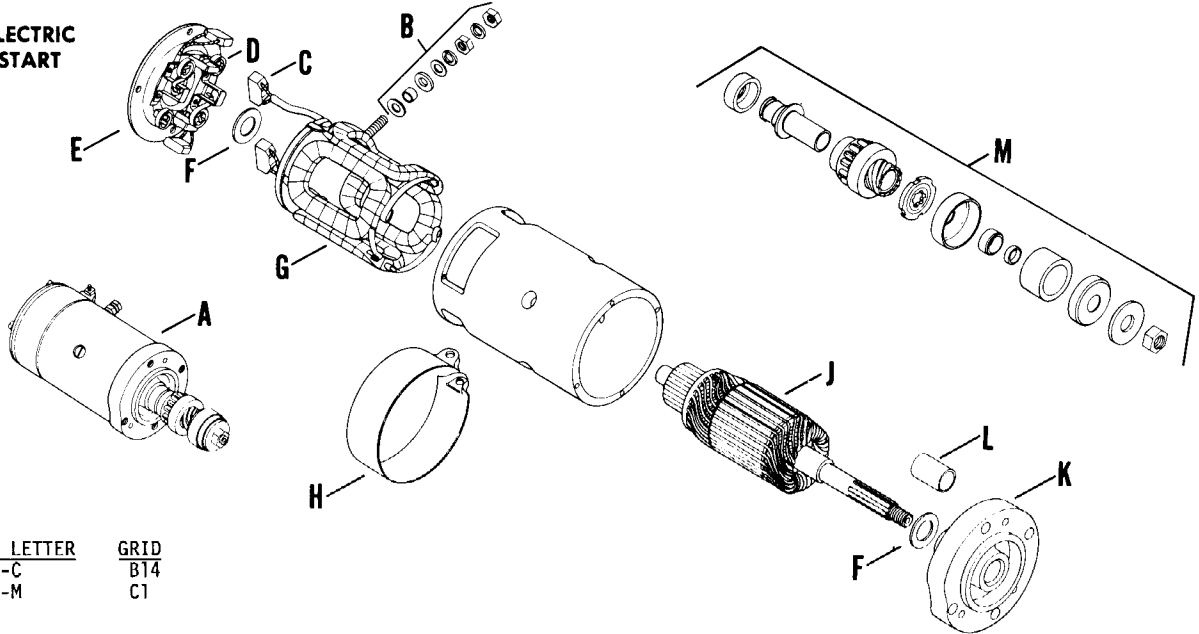
INDEX LTR.	DESCRIPTION VARIATION NUMBER	PART NUMBER	QTY.
M	Clamp, hose 24	X-426-2	2
N	Connector (Replaced by 48 155 02) 21	237757	1
	Connector 38	48 155 02	1
01	Block, terminal (Use A-277555 prior to serial no. 5359407) 33	48 155 01	1

INDEX LTR.	DESCRIPTION VARIATION NUMBER	PART NUMBER	QTY.
02	Block, terminal (Use A-277555 prior to serial no. 5359407) 33	277551	1
03	Block, terminal (Use A-277555 prior to serial no. 5359407) 33	277563	2
04	Block, terminal 50,51,52,53	236473	1
P	Screw, R.H.M. 13,21,26,27,29,32,33,36, 38,39,40,45	X-778-1	4
Q	Lead, low tension		

Use 14 gauge leads for all low tension circuit wiring except use 6 gauge wherever battery current is present and 10 gauge between ammeter to generator or to start switch. Low tension leads are available only in "multiple-use" kit form. Each kit includes an assortment of terminals plus a length of wire which is cut to match the length of the lead being replaced. The available low tension lead kits are:

KIT PART NO.	238056	238055	238054	238058	238060
Wire Size	6 ga.	10 ga.	14 ga.	16 ga.	18 ga.
Wire Length	20'	30'	40'	25'	25'

**11 ELECTRIC START**



INDEX LETTER	GRID
A-C	B14
D-M	C1

INDEX LTR.	DESCRIPTION VARIATION NUMBER	PART NUMBER	QTY.
A	Starter - assembly (For complete starter replacement use A-277214-S kit) (Use A-277599 page 11.3 after serial no. 4216125) 4,8,9,13,14,15,16,18,19,20, 22,50,51	A-277214	1

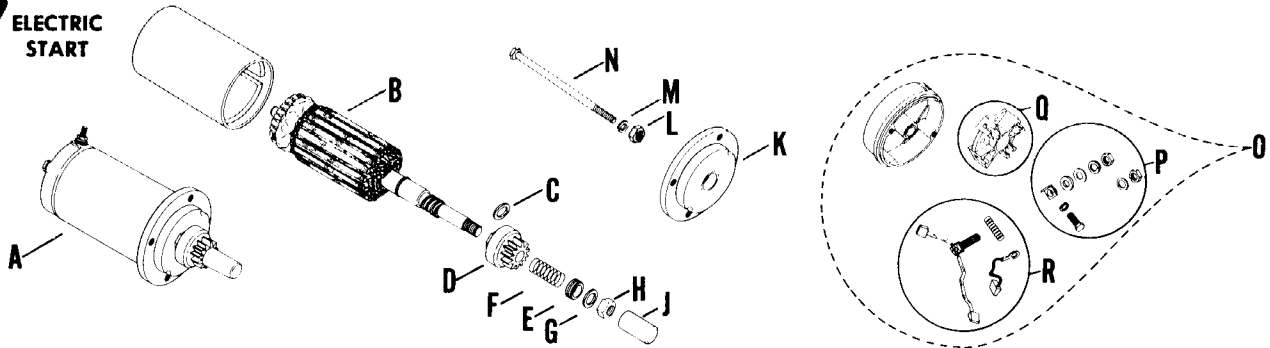
Use stock of original part number before ordering replacement.

INDEX LTR.	DESCRIPTION VARIATION NUMBER	PART NUMBER	QTY.
B	Stud, terminal - package 4,8,9,13,14,15,16,18,19,20, 22,50,51	277352	1
C	Brush - set 4,8,9,13,14,15,16,18,19,20, 22,50,51	277170	1

### ILLUSTRATION ON GRID B14

INDEX LTR.	DESCRIPTION VARIATION NUMBER	PART NUMBER	QTY.	INDEX LTR.	DESCRIPTION VARIATION NUMBER	PART NUMBER	QTY.
D	Spring, brush - set 4,8,9,13,14,15,16,18,19,20, 22,50,51	277160	1	H	Band, cover 4,8,9,13,14,15,16,18,19,20, 22,50,51	277156	1
E	Head C.E. 4,8,9,13,14,15,16,18,19,20, 22,50,51	277158	1	J	Armature 4,8,9,13,14,15,16,18,19,20, 22,50,51	277350	1
F	Washer, thrust - package 4,8,9,13,14,15,16,18,19,20, 22,50,51	277353	1	K	Head D.E. 4,8,9,13,14,15,16,18,19,20, 22,50,51	277169	1
G	Coil, field - package 4,8,9,13,14,15,16,18,19,20, 22,50,51	277159	1	L	Bearing, ABS bronze 4,8,9,13,14,15,16,18,19,20, 22,50,51	230626	1
				M	Drive, Bendix 4,8,9,13,14,15,16,18,19,20, 22,50,51	277351	1

# 11 ELECTRIC START

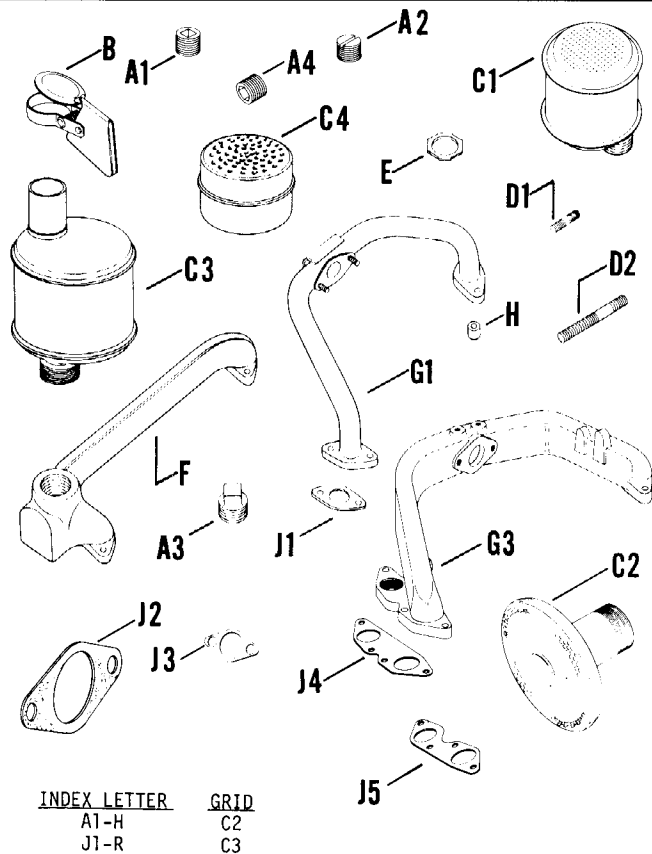


INDEX LTR.	DESCRIPTION VARIATION NUMBER	PART NUMBER	QTY.	INDEX LTR.	DESCRIPTION VARIATION NUMBER	PART NUMBER	QTY.
	Use stock of original part number before ordering replacement.			H	Nut 9,11,21,24,26,27,28,29,32, 33,36,38,39,40,52,53	277619	1
A	Starter - assembly (SMH12C1) (For complete starter replacement use A-277214-S kit prior to serial no. 4216126) (Use page 11.2 prior to serial no. 4216126) 9,11,21,24,26,27,28,29,32, 33,36,38,39,40,52,53	A-277599	1	J	Cover, dust 9,11,21,24,26,27,28,29,32, 33,36,38,39,40,52,53	237643	1
B	Armature 9,11,21,24,26,27,28,29,32,33, 36,38,39,40,52,53	277605	1	K	Cap, drive end 9,11,21,24,26,27,28,29,32, 33,36,38,39,40,52,53	277610	1
C	Washer, armature thrust 9,11,21,24,26,27,28,29,32, 33,36,38,39,40,52,53	277611	1	L	Washer, spacer 9,11,21,24,26,27,28,29,32, 33,36,38,39,40,52,53	277615	1
D	Drive (Replaced by 48 755 02 Kit) 9,11,21,24,26,27,28,29,32, 33,36,38,39,40,52,53	277608	1	M	Washer, split 9,11,21,24,26,27,28,29,32, 33,36,38,39,40,52,53	277616	2
E	Spacer, stop gear 9,11,21,24,26,27,28,29,32, 33,36,38,39,40,52,53	277606	1	N	Bolt, thru 9,11,21,24,26,27,28,29,32, 33,36,38,39,40,52,53	277609	2
F	Spring, anti-drift 9,11,21,24,26,27,28,29,32, 33,36,38,39,40,52,53	277607	1	O	Cap, commutator end 9,11,21,24,26,27,28,29,32, 33,36,38,39,40,52,53	277612	1
G	Washer, stop spring 9,11,21,24,26,27,28,29,32, 33,36,38,39,40,52,53	277614	1	P	Kit, hardware 9,11,21,24,26,27,28,29,32, 33,36,38,39,40,52,53	237761	1
				Q	Kit, brush holder 9,11,21,24,26,27,28,29,32, 33,36,38,39,40,52,53	237762	1
				R	Kit, brush and spring 9,11,21,24,26,27,28,29,32, 33,36,38,39,40,52,53	277613	1



ILLUSTRATION ON GRID C2 C3

**12** EXHAUST



INDEX LETTER	GRID
A1-H	C2
J1-R	C3

INDEX LTR.	DESCRIPTION VARIATION NUMBER	PART NUMBER	QTY.
Use stock of original part number before ordering replacement.			
A1	Plug 7,8,13,16,23,25,26,29, 38,43,48,49,51,52,102,104	X-75-37	1
A2	Plug 11,33	X-75-17	1
A3	Plug 22	X-75-16	1
A4	Plug 33	X-75-23	1
B	Cap, muffler 19	277363	1
C1	Muffler 5,14,45,52,100,101	277066	1
C2	Muffler 8,51,102,103,104	271167	1
C3	Muffler 19	277364	1

INDEX LTR.	DESCRIPTION VARIATION NUMBER	PART NUMBER	QTY.
C4	Muffler 37	275679	2
D1	Stud 13,16,23,29 34,37	235899 X-352-10	4 2
D2	Stud 39	232810	2
E	Nut, lock 1-1/2 5,14,19,45,52	156153	1
F	Manifold, exhaust 5,9,14,19,24,33,42,100, 101,103 7,8,22,43,48,49,51,52, 102,104 23,29 25,26 38	277013 277219 277482 277512 48 164 08	1 1 1 1 1
	Manifold, exhaust (Discontinued--Not Available) 11	277429	1
	Manifold, exhaust (Replaced by 277512) 13,16	277120	1
G1	Manifold, intake (Replaced by 48 164 02) (X-400-95 spacer not required with 48 164 02 intake manifold) 5,7,8,9,19,25,29,35,43, 51,52,102,103,104 Manifold, intake 11 16,33	277092 277412 277323	1 1 1
	Manifold, intake (Replaced by 48 164 07) 13,14,23,24,26,100	277015	1
	Manifold, intake (Replaced by 48 164 06) 22	277320	1
G2	Manifold, intake 33 39 42,48	48 164 05 48 164 03 48 164 02	1 1 1
	Manifold, intake (Replaced by 48 164 07) 38,42,49,101	48 164 04	1
G3	Manifold, intake 34,37	277627	1
H	Spacer 5,7,8,9,11,13,14,16,19,22, 23,24,25,26,29,33,34,35, 100,102,103,104	X-400-95	1

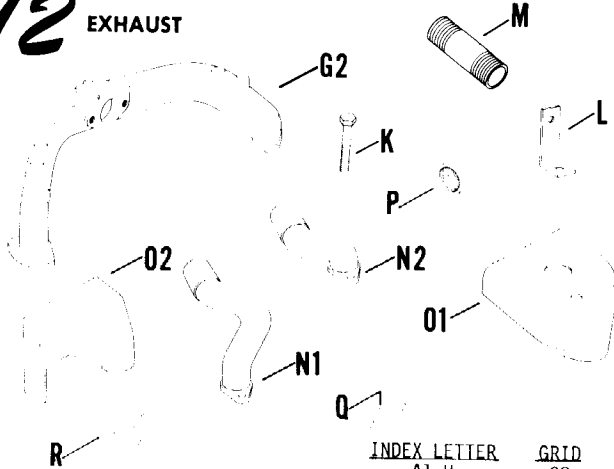
# 12.13

K482-K532-K582

# 12.13

ILLUSTRATION ON GRID C2

## 12 EXHAUST



INDEX LETTER	GRID
A1-H	C2
J1-R	C3

INDEX LTR.	DESCRIPTION VARIATION NUMBER	PART NUMBER	QTY.
J1	Gasket, manifold 5,7,9,14,19,23,24,25,33,35, 38,39,42,43,47,48,49,51,52, 100,101,102,103,104	277091	2
	5,7,9,14,19,24,25,33,35,38, 39,42,43,48,49,51,52,100, 101,102,103,104	48 052 02	2
	8,11,13,16,22,26,29,38, 48,49,51,52	277091	4
	23	48 052 02	1
J2	Gasket 33	271030	1
J3	Gasket 33	48 041 02	1
J4	Gasket, manifold 34,37	277628	1
J5	Gasket, manifold 34,37	277629	1
K	Screw, hex. hd. 5/16 - 18 x 1-1/4 8,11,13,14,16,24,26,38,43, 100	220257	1
	Screw, hex. hd. 5/16 - 18 x 1-1/2 34,37	230175	2
	Screw 5/16 - 18 x 2-3/4 38	X-125-14	1
	Screw 5/16 - 18 x 1-1/8 38	X-125-6	6
	42,49	X-125-6	7

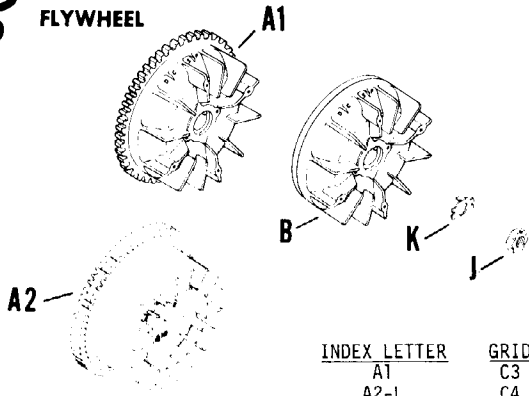
INDEX LTR.	DESCRIPTION VARIATION NUMBER	PART NUMBER	QTY.
L	Strap, lifting 5,7,8,9,11,14,16,19,23,24, 25,26,33,34,35,37,38,39,42, 43,48,49,51,52,100,101,102, 103,104	236742	2
M	Nipple 37	X-218-13	2
N1	Elbow, exhaust cylinder #1 39	48 054 04	1
N2	Elbow, exhaust cylinder #2 39	48 054 05	1
O1	Cover, exhaust elbow cylinder #1 39	48 096 01	1
O2	Cover, exhaust elbow cylinder #2 39	48 096 02	1
P	Spacer 33	277439	1
Q	Plate 33	48 009 07	1
R	Adapter, carb. 33	48 029 01	1

ILLUSTRATION ON GRID C4

## FLYWHEEL 13

INDEX LTR.	DESCRIPTION VARIATION NUMBER	PART NUMBER	QTY.
Use stock of original part number before ordering replacement.			
A1	Flywheel - assembly (Replaced by 48 025 10) 6,8,9,13,17,19,26,32,48	A-277328	1
	Flywheel - assembly 14,15	A-277258	1
	25	A-277255	1
	Flywheel - assembly (Replaced by 48 025 06) 27	A-277911	1
	Flywheel - assembly (Replaced by 48 025 05) 29,30,31,33,34,35,37	A-277665	1
	Flywheel - assembly 64	48 025 05	1

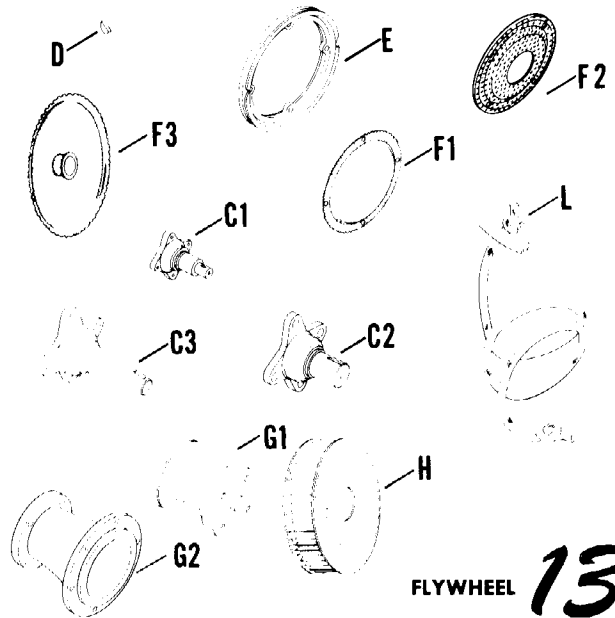
FLYWHEEL



INDEX LETTER	GRID
A1	C3
A2-L	C4

INDEX LTR.	DESCRIPTION VARIATION NUMBER	PART NUMBER	QTY.
A2	Flywheel - assembly 41,54	48 025 02	1
B	Flywheel (Replaced by 48 025 08) 7	277044	1
	Flywheel 11,51	A-277252	1
	16	A-277256	1
	42,49,50,55	48 025 04	1
	52	48 025 08	1
C1	Shaft, front drive 3/4 diameter 8,13	277343	1
C2	Shaft, front drive 1-1/8 diameter 9,31,32,35	277637	1
	Shaft, front drive 1-1/4 diameter 19,37	277466	1
	Shaft, front drive 1 diameter 26,33	277594	1
	Shaft, front drive (Replaced by 277637) 51	277484	1
C3	Shaft, front drive (tapered & tapped) 48	48 144 06	1
D	Key, woodruff #15 ALL	X-45-3	1
E	Pulley (Use after generator serial no. 328363) 7	277016	1
	Pulley 11,51,52	277016	1
F1	Screen, grass 6,29,55	277470	1
	11,52	277023	1

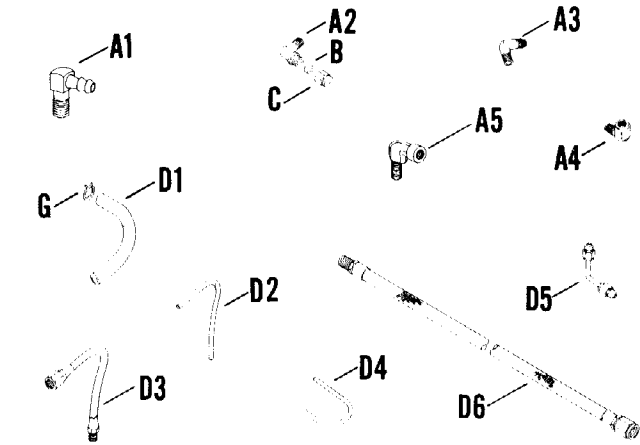
INDEX LTR.	DESCRIPTION VARIATION NUMBER	PART NUMBER	QTY.
F2	Screen, grass (Replaced by 277470) (Use 277023 after generator serial no. 328363) 7	277024	1
	Screen, grass 27	277907	1
	51	48 162 07	1
	54,64	48 162 01	1
F3	Screen, grass 8,9,13,19,26,31,32,33,34, 35,37,48	277017	1
G1	Support, rotor (Use 277226 prior to engine serial no. 7104000) 14,16	48 161 02	1
	Support, rotor 15,25	277226	1
	42	48 161 02	1
G2	Support, rotor 49,50	48 161 03	1
H	Rotor 14,15,16,25,42	277227	1
	49,50	48 414 01	1
J	Nut, flywheel (Replaced by X-747-1) 6,7,8,9,11,13,14,15,16,17, 19,25	X-119-21	1
	Nut, flywheel 26,27,29,30,31,32,33,34,35, 37,41,42,48,49,50,51,52,54, 55,64	X-80-1	1
K	Nut, lock 6,7,8,9,11,13,14,16,17,19, 25,26,27,29,30,31,32,33,34, 35,37,41,42,48,49,50,51,52, 54,55,64	277595	1
L	Rope ALL	A-230099	1



14

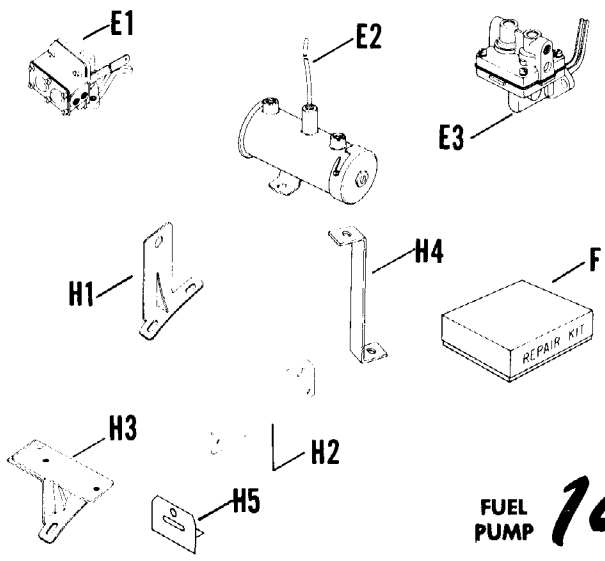
K482-K532-K582

14 FUEL PUMP

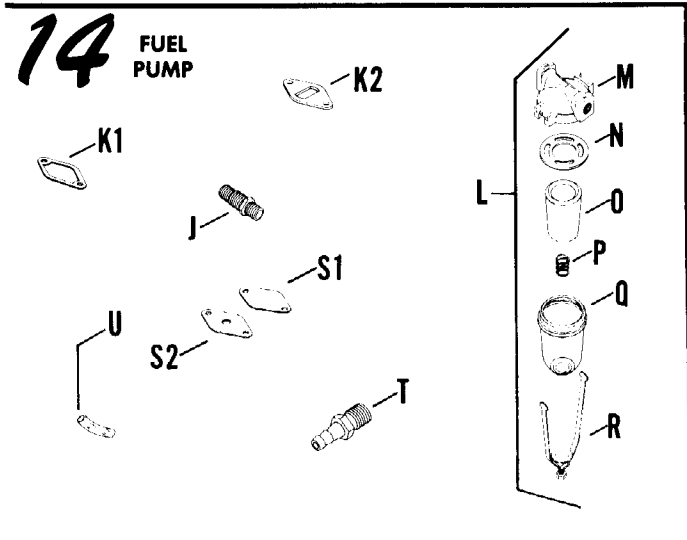


INDEX LTR.	DESCRIPTION VARIATION NUMBER	PART NUMBER	QTY.
Use stock of original part number before ordering replacement.			
A1	Elbow 90° (Rubber fuel line only) 3,5,12,21,23,30,31,197	X-391-1	1
	6,14,22,198,200	X-391-1	2
	10,26,199	X-391-1	3
A2	Elbow 90° (Metal fuel line only) 3,21,23,197	231510	2
	5,6,10,12,14,16,24,30,31	231510	1
A3	Elbow 90° 6	X-447-10	1
A4	Elbow 90° 6	X-211-10	2
	12	X-555-2	2
	14,21,22,26,27,30,31,198	X-555-2	1
	16	X-211-10	1
A5	Elbow, street 27,28,29	X-774-1	1
B	Sleeve (Metal fuel line only) 3,5,6,10,12,14,16,23	220547	2
C	Nut (Metal fuel line only) 3,5,6,10,12,14,16,23	220786	2
D1	Line, fuel 5-1/2 rubber (Metal fuel line - 220097) 3,5,10,12,14,21,22,23, 26,30,31	X-697-1	1
	Line, fuel 7 rubber 6,28	X-386-19	1
	Line, fuel 13-1/2 10	X-697-7	1
	Line, fuel 4 flexible 26	X-697-4	1
D2	Line, fuel 5-19/32 metal 3,23	277591	1

INDEX LTR.	DESCRIPTION VARIATION NUMBER	PART NUMBER	QTY.
D3	Line, fuel 6-1/2 flexible 6	280905	1
D4	Line, fuel 4-9/16 metal 16	220097	1
D5	Line, fuel 3-9/16 metal 21,30	A-277654	1
D6	Line, fuel 7 27	48 353 02	1
E1	Pump, fuel (Includes gasket) 3,5,6,10,12,14,16,21,22, 23,26,197,198,199,200	A-277539	1
E2	Pump, fuel (Elec.) (Includes gasket) 27,28,29	45 393 03	1
E3	Pump, fuel (Includes gasket) 30,31	48 559 01	1
F	Repair kit, fuel pump 3,5,6,10,12,14,16,21, 22,23,26	271736	1
G	Clamp, hose (Rubber fuel line only) (Replaced by X-426-9) 3,5,6,10,12,14,21,22,23, 28	X-309-14	2
	26	X-309-14	4
	30,31	X-309-14	1
H1	Bracket, fuel filter 3,6,21,23,26,30,197	277132	1
H2	Bracket, fuel filter 10,199	277495	1
H3	Bracket, fuel pump 28,29	48 126 06	1
H4	Bracket 29	48 120 01	1
H5	Bracket, strainer 197,198,199,200	288802	1



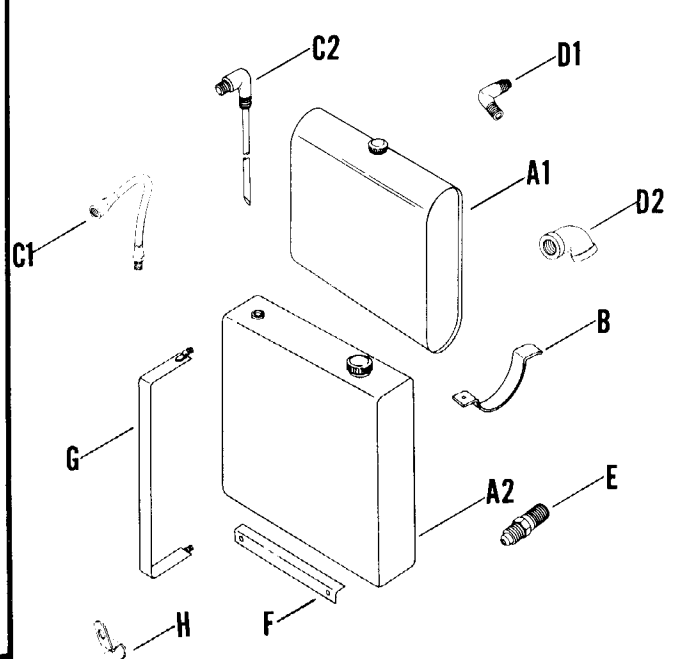
FUEL PUMP 14



INDEX LTR.	DESCRIPTION VARIATION NUMBER	PART NUMBER	QTY.
J	Nipple 3,6,10,21,23,26,30	277483	1
K1	Gasket, fuel pump 3,4,6,10,12,14,20,23,27,28,29,31,197,198,199,200	47 041 01	1
K2	Gasket, fuel pump insulator 3,5,10,14,16,21,22,23,26,30,197,198,199,200	277649	1
	30	47 041 04	1
L	Filter, fuel - assembly (Includes M thru R) 3,6,10,21,23,26,30,197,199	A-201073	1
M	Body, fuel filter 3,6,10,21,23,26,30,197,199	270785	1
N	Gasket, filter bowl 3,6,10,21,23,26,30,197,199	270690	1
O	Element, filter ceramic 3,6,10,21,23,26,30,197,199	270782	1
P	Spring, element retaining 3,6,10,21,23,26,30,197,199	270783	1
Q	Bowl, filter 3,6,10,21,23,26,30,197,199	270691	1
R	Retainer, bowl 3,6,10,21,23,26,30,197,199	270784	1
S1	Cover, pump 4,27,28	240282	1
S2	Cover, pump 20	277646	1
T	Connector, hose 20,28	X-380-1	1
U	Insulator 27	X-367-1	1

FUEL TANK

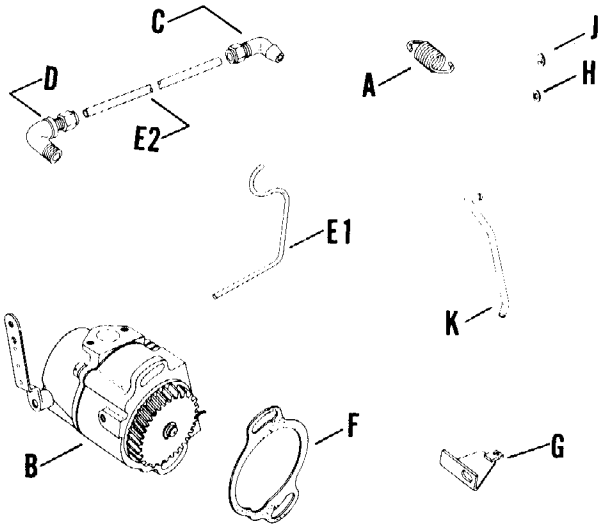
INDEX LTR.	DESCRIPTION VARIATION NUMBER	PART NUMBER	QTY.
A1	Tank, fuel (9.08 gal.) 1	272446	1
A2	Tank, fuel 50	277079	1
B	Bracket, tank 1	272443	2
C1	Line, fuel 1	266101	1
	50	266103	1
	50	270727	1
C2	Line, suction 50	274083	1
	D1	Elbow 1	X-447-10
D2	Elbow 1	D-220	1
E	Adapter, fuel line 50	270728	1
F	Support, tank 50	288727	1
G	Strap, tank 50	288728	2
H	Clip 1	286533	1
	50	265850	1



17  
17

K482-K532-K582

GOVERNOR

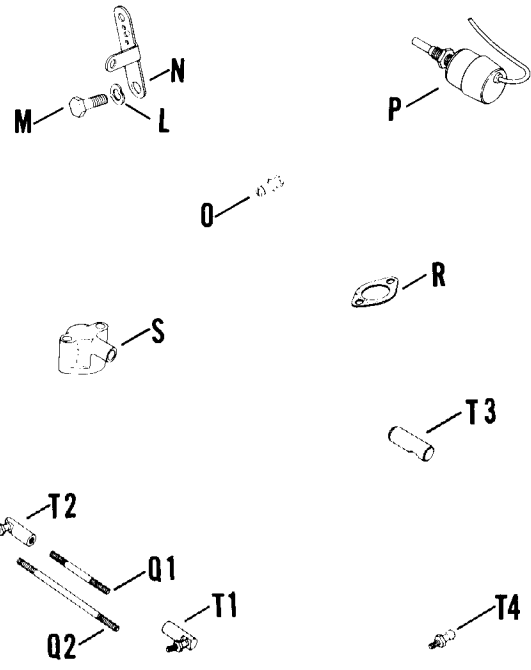


INDEX LTR.	DESCRIPTION VARIATION NUMBER	PART NUMBER	QTY.
L	Washer, tension 2,7,8,12,13,15,19,20,800	277341	1
M	Screw, shoulder 2,7,8,12,13,15,19,20,800	275691	1
N	Lever, throttle 2,7,8,12,13,19,20,800	277080	1
	15	48 090 02	1
O	Clamp, swivel 15,800	231052	1
P	Solenoid 15	45 435 02	1
Q1	Rod, ball joint 2,3,4,8,12,15,16,19,20,800	271151	1
Q2	Rod, ball joint 7,13	240256	1
R	Gasket, breather 2,3,4,7,8,12,13,15,16,17, 19,20,800	277073	1
S	Housing, breather (Includes valve) 2,3,4,7,8,12,13,15,16,17, 19,20,800	A-277905	1

INDEX LTR.	DESCRIPTION VARIATION NUMBER	PART NUMBER	QTY.
------------	------------------------------	-------------	------

Use stock of original part number before ordering replacement.

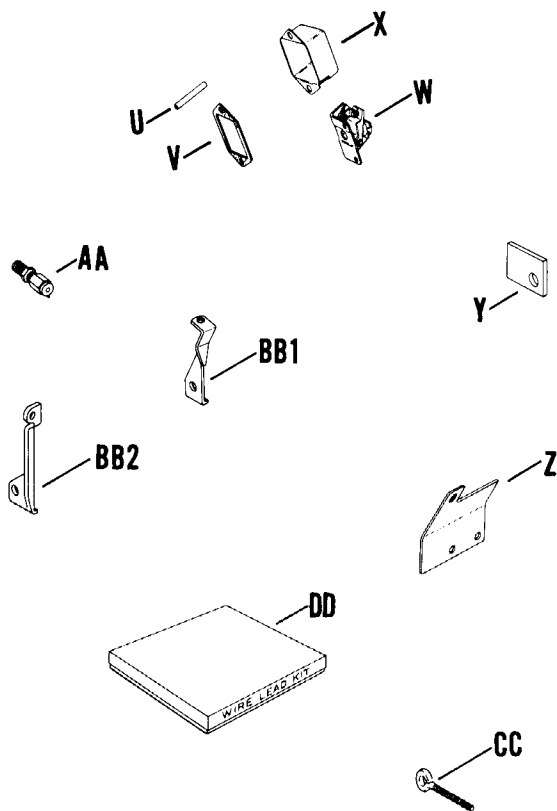
A	Spring, governor 2,3,7,8,12,15,17,19,20, 800	271547	1
	4 13,16	277325	1
B	Governor - assembly (Grid C9) 2,3,4,7,8,12,13,15,16,17, 19,20,800	B-277112	1
C	Elbow 2,3,4,7,8,12,13,15,16,17, 19,20,800	277337	1
D	Elbow 3,8	X-324-7	1
E1	Line, oil 7-1/2 2,4,7,12,13,15,16,17,19,20, 800	277669	1
E2	Line, oil 6-1/2 3,8	X-302-9	1
F	Gasket, governor housing 2,3,4,7,8,12,13,15,16,17, 19,20,800	277078	1
G	Lever, bellcrank (Discontinued--Not Available) 8	277410	1
H	Spacer 8	277427	1
J	Retainer 8	235278	2
K	Rod 8	277428	1



INDEX LETTER	GRID
A-S	C7
T1-DD	C8

GOVERNOR 17

INDEX LTR.	DESCRIPTION VARIATION NUMBER	PART NUMBER	QTY.	INDEX LTR.	DESCRIPTION VARIATION NUMBER	PART NUMBER	QTY.
T1	Ball joint (Use 45 208 03 after serial no. 6373502) 2,12,800	237130	1	U	Rod, breaker push (Replaced by X-489-8) 2,3,4,7,8,12,13,15,800	X-671-1	1
	Ball joint (Replaced by 237130) 3,4	275868	1		Rod, breaker push 16,17,19,20	X-489-8	1
	Ball joint 7,8,13,15	237130	1	V	Gasket, breaker cover 2,3,4,7,8,12,13,15,16,17, 19,20,800	220174	1
T2	Ball joint (Use 45 208 03 after serial no. 6373502) 2,12,800	237130	1	W	Breaker (Replaced by 47 150 01) 2,7,8,12,13,15	A-231079	1
	Ball joint (Replaced by 237130) 3,4	275868	1		3,4,16	A-220474	1
	Ball joint 7,8,13	237130	1		Breaker 17,19,20	47 150 01	1
T3	Body, ball joint 15,16,19,20	45 208 03	1	X	Cover, breaker 2,3,4,7,8,12,13,15,16,17, 19,20,800	A-220136	1
T4	Ball joint 15,16,17,19,20	48 194 01	1	Y	Plate, governor 12,13,19	48 146 01	1



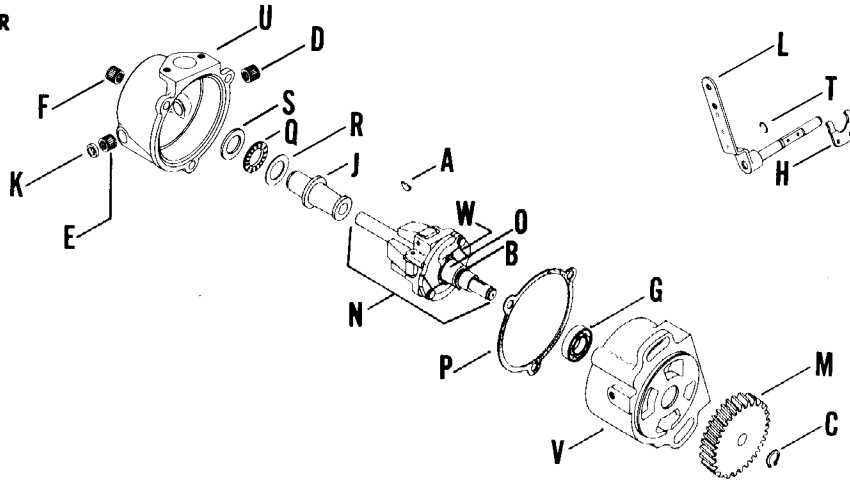
Z	Bracket, solenoid 15	48 126 05	1
AA	Connector 2,4,7,12,13,15,16,17,19,20, 800	X-343	1
BB1	Arm, control 3	277108	1
BB2	Arm, control 4,16,17	277332	1
CC	Screw, adjusting 3,4,16,17	277333	1
DD	Lead, low tension  Use 14 gauge leads for all low tension circuit wiring except use 6 gauge wherever battery current is present and 10 gauge between ammeter to generator or to start switch. Low tension leads are available only in "multiple-use" kit form. Each kit includes an assortment of terminals plus a length of wire which is cut to match the length of the lead being replaced. The available low tension lead kits are:		

KIT PART NO.	238056	238055	238054	238058	238060
Wire Size	6 ga.	10 ga.	14 ga.	16 ga.	18 ga.
Wire Length	20'	30'	40'	25'	25'

17  
17

K482-K532-K582

GOVERNOR

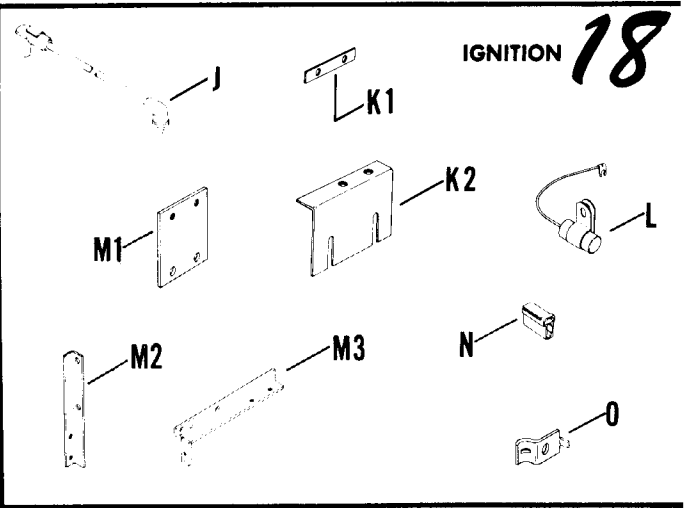


INDEX LTR.	DESCRIPTION VARIATION NUMBER	PART NUMBER	QTY.	INDEX LTR.	DESCRIPTION VARIATION NUMBER	PART NUMBER	QTY.
	Use stock of original part number before ordering replacement.						
	Governor - assembly (Includes A thru W) 2,3,4,7,8,12,13,15,16,17,19, 20,800	B-277112	1	L	Lever, governor 2,3,4,7,8,12,13,15,16,17, 19,20,800	A-277186	1
A	Key, woodruff 2,3,4,7,8,12,13,15,16,17,19, 20,800	X-42-2	1	M	Gear, governor 2,3,4,7,8,12,13,15,16,17, 19,20,800	277561	1
B	Ring, retainer 2,3,4,7,8,12,13,15,16,17, 19,20,800	X-269-4	1	N	Shaft, governor - assem. (Includes B, O & W) 2,3,4,7,8,12,13,15,16,17, 19,20,800	A-277095	1
C	Ring, retainer 2,3,4,7,8,12,13,15,16,17, 19,20,800	X-269-15	1	O	Cam, breaker 2,3,4,7,8,12,13,15,16,17, 19,20,800	277096	1
D	Bearing, needle 2,3,4,7,8,12,13,15,16,17, 19,20,800	X-293-2	1	P	Gasket, governor cover 2,3,4,7,8,12,13,15,16,17, 19,20,800	277099	1
E	Bearing, needle 2,3,4,7,8,12,13,15,16,17, 19,20,800	X-293-3	1	Q	Bearing, roller thrust 2,3,4,7,8,12,13,15,16,17, 19,20,800	277100	1
F	Bearing, needle 2,3,4,7,8,12,13,15,16,17, 19,20,800	X-293-6	1	R	Race, thrust bearing 2,3,4,7,8,12,13,15,16,17, 19,20,800	277101	1
G	Bearing, ball 2,3,4,7,8,12,13,15,16,17, 19,20,800	240202	1	S	Race, thrust bearing 2,3,4,7,8,12,13,15,16,17, 19,20,800	277102	1
H	Yoke, governor 2,3,4,7,8,12,13,15,16,17, 19,20,800	271131	1	T	Ring, retaining 2,3,4,7,8,12,13,15,16,17, 19,20,800	277104	1
J	Sleeve, governor (Replaced by 48 755 01 kit) 2,3,4,7,8,12,13,15,16,17, 19,20,800	271132	1	U	Cover, governor 2,3,4,7,8,12,13,15,16,17, 19,20,800	277107	1
K	Seal, oil 2,3,4,7,8,12,13,15,16,17, 19,20,800	275055	1	V	Housing, governor 2,3,4,7,8,12,13,15,16,17, 19,20,800	277109	1
				W	Spring 2,3,4,7,8,12,13,15,16,17, 19,20,800	230189	2

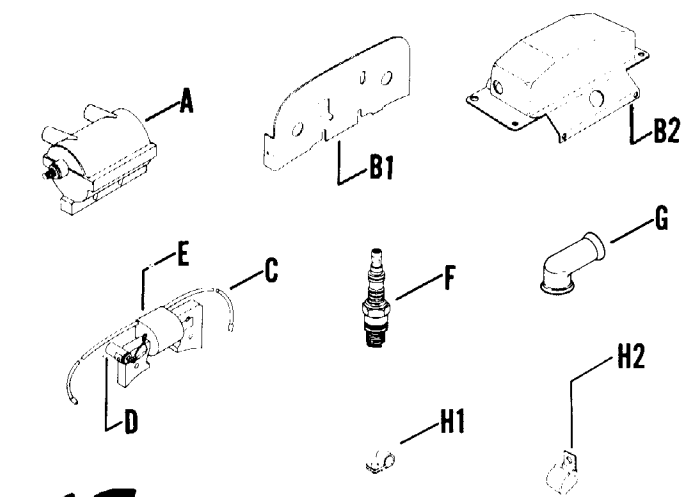


**18 IGNITION**

INDEX LTR.	DESCRIPTION VARIATION NUMBER	PART NUMBER	QTY.	
Use stock of original part number before ordering replacement.				
A	Coil 3,4,8,11,12,15,16,19,20, 21,23,24,25,28,29,30,31, 32,33,300	277375	1	
B1	Housing, stator 5,7	277306	1	
B2	Housing, stator 17	277366	1	
C	Stator - assembly (includes D & E) 5,7,10,13,17,26	A-277301	1	
D	Condenser 5,7,10,13,17,26	231719	1	
E	Coil 5,7,10,13,17,26	277449	1	
F	Plug, spark 3,4,5,7,8,10,11,12,13,15, 16,21,22,23,24,26,29,30	235040-S	2	
		17,19,20,25,28,31,32,33	235041-S	2
G	Boot, spark plug 5,7,10,13,17,26	220791	2	
H1	Clip, cable (Plastic coated) 3,4,5,7,8,11,12,13,15, 16,17,19,21,22,23,24, 25,26,29,30,31,32,33	210281	2	
		10	210281	1
		11	X-672-7	1
		20	47 154 01	1
H2	Clip	28	48 154 01	1
		28	48 154 02	1



INDEX LTR.	DESCRIPTION VARIATION NUMBER	PART NUMBER	QTY.	
J	Lead, high tension (Replaced by 238057 kit) 3,4,11,12,15,16,21,22,23, 24,30,33,300	277374	2	
	Lead, hi-tension	4	270614	1
		23,29,33	241390	1
		29	277374	1
		Kit, hi-tension lead 8	238057	1
	Lead, hi-tension	19,20,25	48 348 02	1
		20,33	48 348 03	1
		28,31,32	48 348 04	2
		33	48 348 04	1
K1	Plate, coil mounting 3,4,11,12,15,19,20,23,25, 29,30,33	271694	1	
K2	Plate, coil mounting 16,21,24,28,31,32	271694	2	
K2	Plate, coil mounting 12,19	277587	1	
L	Condenser 3,4,8,11,12,15,16,19,20,21, 23,24,25,28,29,30,31,32,33 300	230722	1	
M1	Bracket, coil 15	277509	1	
M2	Bracket, coil 20,30	48 088 02	1	
M3	Bracket, coil 23	48 088 01	1	
N	Connector (Replaced by 48 155 02) 23,33	237757	1	
O	Clamp, cable 23	235778	2	
P	Cover, breaker ALL	A-220136	1	



**18 IGNITION**

# 18.19

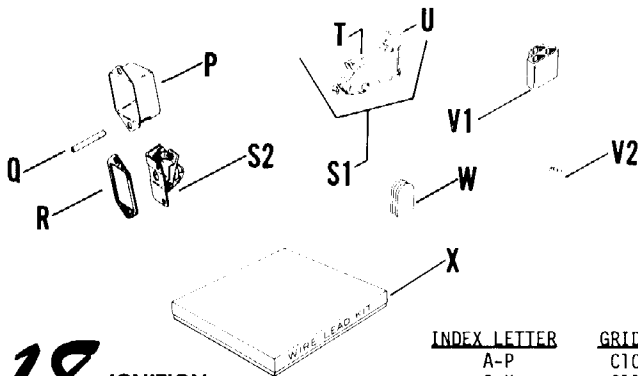
## K482-K532-K582

# 18.19

INDEX LTR.	DESCRIPTION VARIATION NUMBER	PART NUMBER	QTY.
Q	Rod, breaker push ALL	X-489-8	1
R	Gasket, breaker cover ALL	220174	1
S1	Breaker - assembly (Includes T & U) (Replaced by 48 150 02) 3,4,5,7,8,10,11,12,15,16, 19,21,22,23,24,25,29,31,32, 33	A-231079	1
S2	13,17,20,30,300 Breaker 28	A-220981 48 150 02	1 1
T	Points, breaker (Replaced by 48 150 02) 3,4,5,7,8,10,11,12,15,16, 19,21,22,23,24,25,29,31, 32,33	220475	1
	13,17,20,30,300	220980	1
U	Bracket (Replaced by 48 150 02) ALL (except 28)	220476	1
V1	Block, terminal 29	236473	1
V2	Block, terminal 29	277563	1
W	Grommet 3,5,13,17,20,24,26,29	220297	1
X	Lead, low tension		

Use 14 gauge leads for all low tension circuit wiring except use 6 gauge wherever battery current is present and 10 gauge between ammeter to generator or to start switch. Low tension leads are available only in "multiple-use" kit form. Each kit includes an assortment of terminals plus a length of wire which is cut to match the length of the lead being replaced. The available low tension lead kits are:

KIT PART NO.	238056	238055	238054	238058	238060
Wire Size	6 ga.	10 ga.	14 ga.	16 ga.	18 ga.
Wire Length	20'	30'	40'	25'	25'



# 18

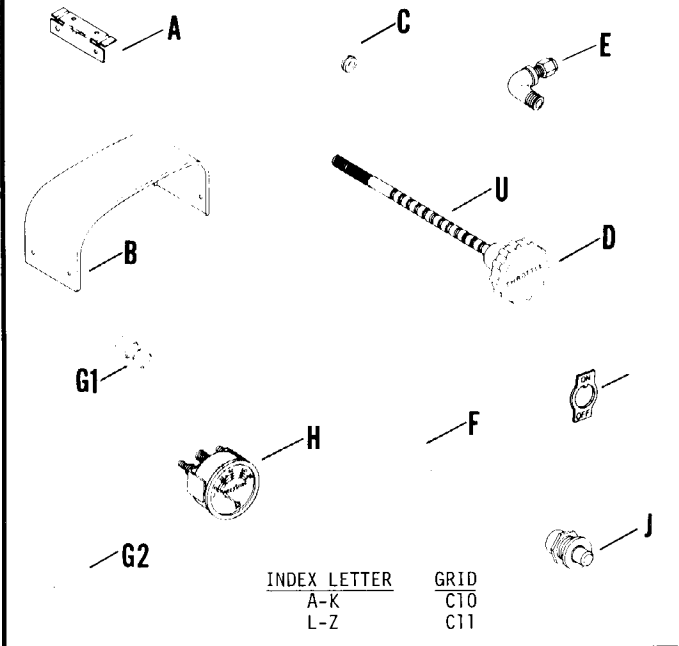
IGNITION

INDEX LETTER  
A-P  
Q-X

GRID  
C10  
C11

## INSTRUMENT PANEL

# 19



INDEX LTR.	DESCRIPTION VARIATION NUMBER	PART NUMBER	QTY.
------------	------------------------------	-------------	------

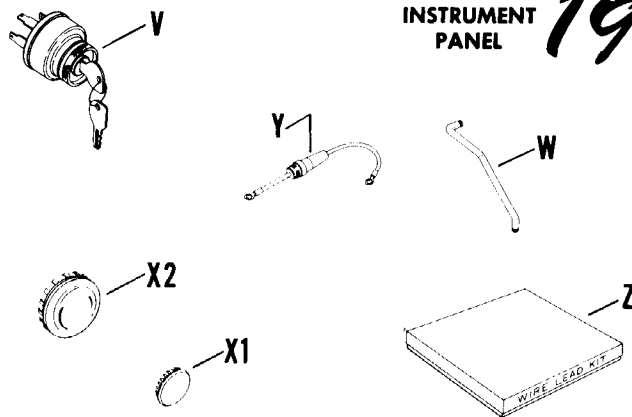
Use stock of original part number before ordering replacement.

A	Bracket, cable 5,13,700	277128	1
B	Cover, stator housing (Discontinued--Not Available) 7,11	277342	1
C	Washer 10	243826	1
D	Knob, throttle 4,7,10,14,17,23	270414	1
E	Elbow 4,7,11,14,17,21,22,23	X-324-7	1
F	Line, oil 11-19/64 4,14,17,21,22,23	277354	1
	Line, oil 13-15/16 (Discontinued--Not Available) 7,11	277415	1
G1	Connector 4,7,11,14,17,22,23	X-721-1	1
G2	Connector 23	48 155 01	1
H	Gauge, oil pressure 4,7,11,14,17,21,22,23,700	270231	1
J	Button, start 4,21,22,701	270232	1
K	Plate, switch 4,7,11,21,22	220725	1

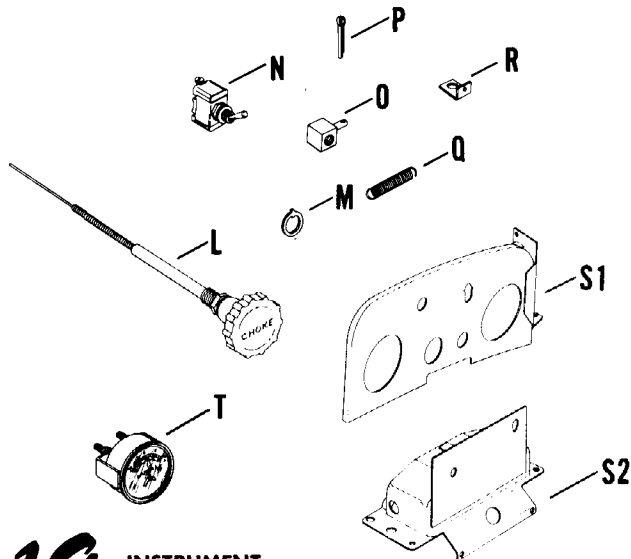
19  
19

ILLUSTRATION ON GRID C10

INDEX LTR.	DESCRIPTION VARIATION NUMBER	PART NUMBER	QTY.
L	Cable, choke 4,14,17,21,22	277148	1
	7,11	277380	1
	10	277421	1
M	Ring, lock 4,7,11,21,22	151511	1
N	Switch, ignition 4,21	151510	1
	7,11	151510-2	1
	22,701	238011	1
O	Block, swivel 4,7,10,14,17,22,23	270410	1
P	Pin, cotter 1/16 x 3/8 4,7,10,14,17	X-36-4	1
	Pin, cotter 1/16 x 1/2 (Discontinued--Not Available) 4,7,14,17	X-36-1	1
Q	Spring, throttle 4,7,10,14,17,22,23	270409	1
R	Clip, throttle 4,7,10,11,14,17,22,23	274043	1
	5,700	235603	2
S1	Panel, instrument 4,21,22	277173	1
	7,11	277308	1
	Panel, instrument (Discontinued--Not Available) 14,17	277549	1



INDEX LTR.	DESCRIPTION VARIATION NUMBER	PART NUMBER	QTY.
S2	Panel, control and stator housing 10	277430	1
T	Ammeter 4,14,17,22,23	277190	1
U	Lever, throttle (Replaced by 48 420 03) 4,14,17	277146	1
	Lever, throttle 7	277303	1
	22,23	48 420 03	1
V	Switch (Use after serial no. 5359406) 17,23	48 099 01	1
W	Rod, throttle 10	277428	1
X1	Plug, button 7,14,17,23	X-301-8	1
X2	Plug, button 7,21	244419	1
Y	Fuse, holder 22,23	41 323 01	1
Z	Lead, low tension		



19 INSTRUMENT PANEL

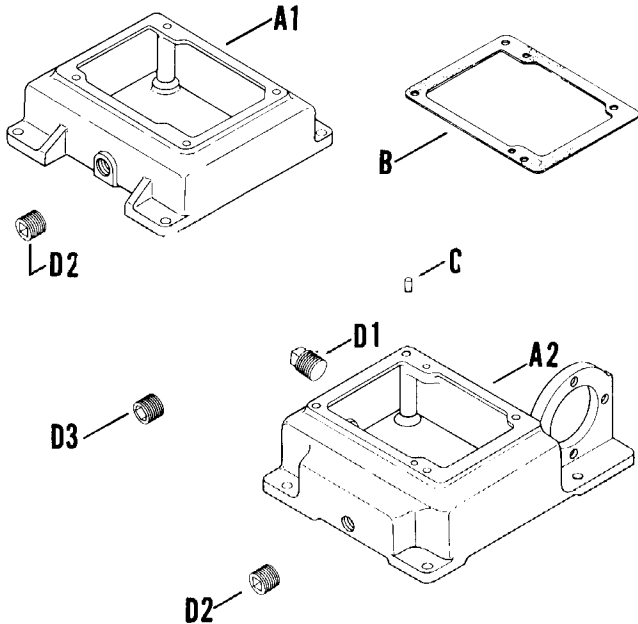
Use 14 gauge leads for all low tension circuit wiring except use 6 gauge wherever battery current is present and 10 gauge between ammeter to generator or to start switch. Low tension leads are available only in "multiple-use" kit form. Each kit includes an assortment of terminals plus a length of wire which is cut to match the length of the lead being replaced. The available low tension lead kits are:

KIT PART NO.	238056	238055	238054	238058	238060
Wire Size	6 ga.	10 ga.	14 ga.	16 ga.	18 ga.
Wire Length	20'	30'	40'	25'	25'

21

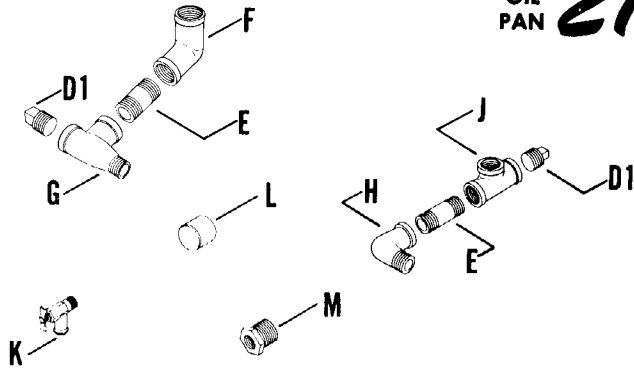
**21 OIL PAN**

INDEX LTR.	DESCRIPTION VARIATION NUMBER	PART NUMBER	QTY.
Use stock of original part number before ordering replacement.			
A1	Pan, oil (Side drain) 1	277126	1
	8,14	277462	1
A2	Pan, oil (Side drain) (Includes D1) (Replaced by 48 532 06) (Use 48 532 02 after serial no. 7059820) 5	277215	1
	Pan, oil (End drain) (Replaced by 48 532 03) (Includes D2) 7,9,12,13	A-277602	1
	Pan, oil (Side drain) (Replaced by 48 532 06) (Includes D1) 15	48 532 02	1
	Pan, oil (Side drain) (Includes D2) 16	48 532 03	1
	Pan, oil (Side drain) (Includes D1) 17	48 532 06	1
B	Gasket, oil pan 1,5,7,8,9,12,13,14,15,16,17	277014	1
C	Pin, dowel 1,5,7,9,12,13,15,16,17	230125-S	2



**21 OIL PAN**

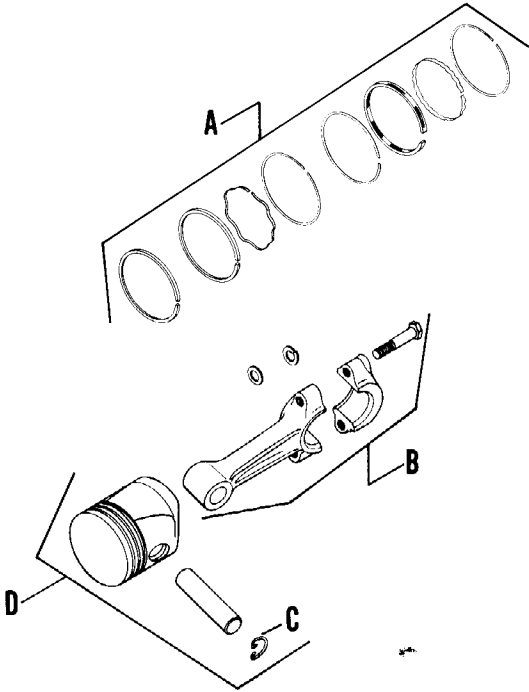
**OIL PAN 21**



INDEX LTR.	DESCRIPTION VARIATION NUMBER	PART NUMBER	QTY.
D1	Plug, pipe 1,5,13,15,17	X-75-6	1
	17	X-75-28	1
	Plug, drain 1/4 sq. hd. (Use prior to generator set serial no. 440033) (Replaced by X-75-6) 8	X-75-24	1
	Plug, pipe (Replaced by X-75-6) 9	X-75-24	1
D2	Plug, pipe 5,7,9,12,13,16,17	X-75-18	1
D3	Plug, pipe 7,12	X-75-31	1
E	Nipple 2 9,13	X-206-2	1
	Nipple 2-1/2 12	X-206-4	1
	Nipple 3-1/2 14	X-206-6	1
F	Elbow 9	X-215-2	1
G	Tee 9	X-313-1	1
H	Elbow (Use prior to generator set serial no. 440033) 8,13	SA-472	1
J	Tee 13	A-108	1
K	Valve (Use after generator set serial no. 440032) 8	238123	1
L	Cap, pipe 14	X-268-1	1
M	Bushing, reducer (Use after generator set serial no. 440032) 8	X-202-23	1

22 PISTON AND ROD				INDEX LTR.	DESCRIPTION VARIATION NUMBER	PART NUMBER	QTY.
A	Ring set - Std. & .003 (Service) 2,4	235287	2	B	Rod, connecting - assembly 2,4	A-277130	2
	Ring set - .010 (Service)	235288			Rod, connecting - assembly (.010 U.S.)	A-277130-10	
	Ring set - .020 (Service)	235289			Rod, connecting - assembly (Replaced by 48 067 08) 5,6	A-277673	2
	Ring set - .030 (Service)	235290			Rod, connecting - assembly (.010 U.S.) (Replaced by A-277673-10)	48 067 01	
	Ring set - Std. & .003 (Service) 5,6	48 108 01	2		Rod, connecting - assembly (Std.) 7	A-277673	2
	Ring set - .010 (Service)	48 108 02		C	Retainer 2,4	235004	4
	Ring set - .020 (Service)	48 108 03			5,6,7	235811	4
	Ring set - .030 (Service)	48 108 04		D	Piston - assembly (Includes pin & retainers) 2,4	A-235611	2
	Ring set - Std. & .003 (Service) 7	48 108 05	2		Piston - assembly (.003) (Includes pin & retainers)	A-235567	
	Ring set - .010 (Service)	48 108 06			Piston - assembly (.010) (Includes pin & retainers)	A-235569	
	Ring set - .020 (Service)	48 108 07			Piston - assembly (.020) (Includes pin & retainers)	A-235571	
	Ring set - .030 (Service)	48 108 08			Piston - assembly (.030) (Includes pin & retainers)	A-235616	
					Piston - assembly (Includes pin & retainers) 5,6	A-235827	2
					Piston - assembly (.003) (Includes pin & retainers)	A-235864	
					Piston - assembly (.010) (Includes pin & retainers)	A-235865	
					Piston - assembly (.020) (Includes pin & retainers)	A-235866	
					Piston - assembly (.030) (Includes pin & retainers)	A-235867	
					Piston - assembly (Std.) (Includes pin & retainers) 7	A-237401	2
					Piston - assembly (.003) (Includes pin & retainers)	A-237402	
					Piston - assembly (.010) (Includes pin & retainers)	A-237403	
					Piston - assembly (.020) (Includes pin & retainers)	A-237404	
					Piston - assembly (.030) (Includes pin & retainers)	A-237405	

Use stock of original part number before ordering replacement.

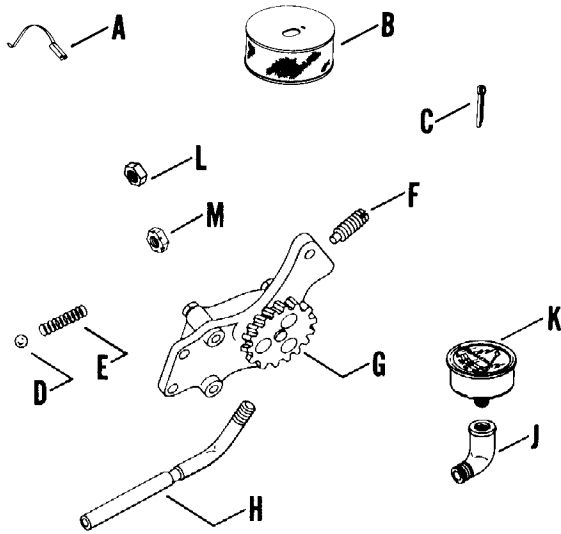


# 25.26

## K482-K532-K582

### 25 OIL PUMP

### GEAR COVER 26



INDEX LTR.	DESCRIPTION VARIATION NUMBER	PART NUMBER	QTY.
------------	------------------------------	-------------	------

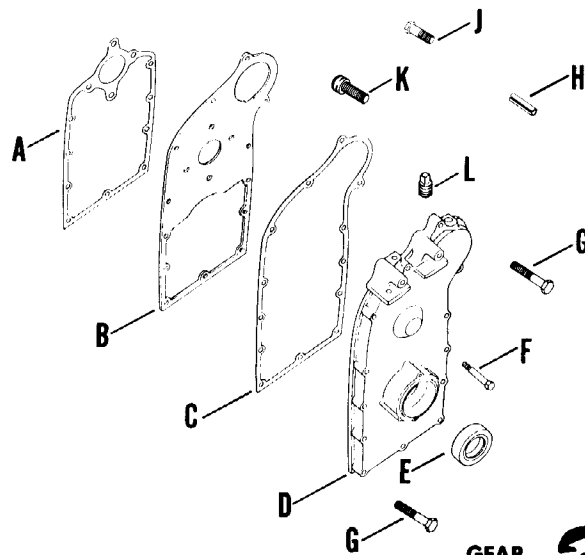
Use stock of original part number before ordering replacement.

A	Gasket, gear cover plate 5,7,9	277022	1
B	Plate, gear cover 5,7,9	277021	1
C	Gasket, gear cover 5,7,9	277020	1
D	Cover, gear (Replaced by A-277642) 5,9	A-277640	1
	Cover, gear (Replaced by A-277643) 7	A-277641	1
E	Seal, front oil (Replaced by X-379-9) 5,7,9	X-379-6	1
F	Screw, hex. hd. 5/16 - 18 x 1-3/4 5,7,9	277086	2
G	Screw, hex. hd. 5/16 - 18 x 1-3/4 5,7,9	X-6-22	7
H	Pin 5	X-280-13	2
J	Screw, hex. hd. 5/16 - 18 x 3/4 5,7,9	X-6-11	4
K	Screw, allen 5/16 - 18 x 3/4 5,7,9	X-55-6	1
L	Plug, pipe 5,7,9	X-75-2	1

INDEX LTR.	DESCRIPTION VARIATION NUMBER	PART NUMBER	QTY.
------------	------------------------------	-------------	------

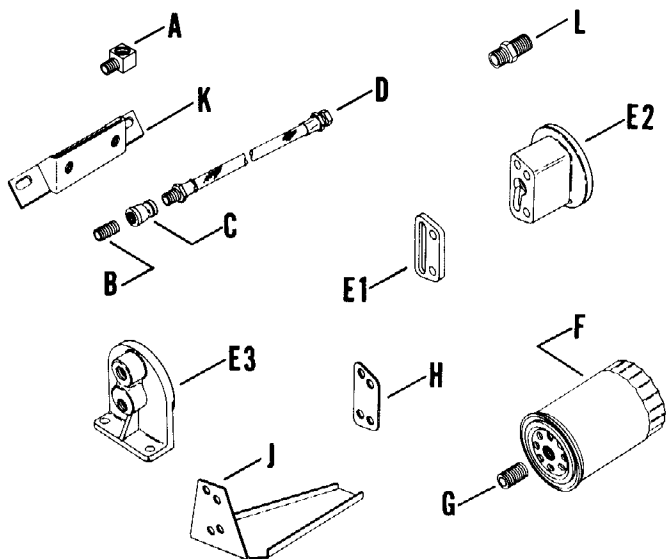
Use stock of original part number before ordering replacement.

A	Clip, oil tube 3,4,5,20	270085	1
B	Strainer, oil 3,4,5,20	277202	1
C	Pin, cotter 1/16 x 3/4 (Discontinued--Not Available) 3,4,20	X-36-6	1
D	Ball, steel 3,4,5,20	X-212-3	1
E	Spring, relief valve (Replaced by 50 089 01) 3,4,20	277082	1
	5	50 089 01	1
F	Screw, adjusting 3,4,5,20	277694	1
G	Pump (Replaced by 48 393 02) 3,4,5,20	A-277546	1
H	Tube, oil inlet 3	277201	1
	4,5,20	277224	1
J	Elbow 45° 20	X-274-4	1
K	Gauge, oil 20	240981	1
L	Nut, lock 3,4,5,20	X-629-1	1
M	Nut, relief valve 5	X-101-6	1



### GEAR COVER 26

**29 OIL FILTER**



INDEX LTR.	DESCRIPTION VARIATION NUMBER	PART NUMBER	QTY.
------------	------------------------------	-------------	------

Use stock of original part number before ordering replacement

A	Elbow, street 5,7	X-555-1	2
B	Nipple 1/8 4,5,6,7,500	X-217-6	2
C	Coupling, reducer 4,5,6,7,500	X-250-8	2
D	Line, flexible fuel 24 4,6,500	X-699-1	2
	Line, flexible fuel 24 (Replaced by X-699-1) 5	X-699-2	2
	Line, oil 7	X-446-7	2
E1	Adapter, filter 2	277034	1
E2	Adapter, filter (Replaced by 48 029 02) 3,8,9	277532	1
E3	Adapter, filter 5,6,7,500	277345	1
F	Filter, oil 3,5,6,7,8,9,500	277233	1
G	Nipple 1/2 I.D. x 3/4 O.D. x 1 3,5,7,8,9,500	277234	1
H	Gasket, oil filter adapter 2,3,8	277195	1
	9	277195	2
J	Trough, spill 9	48 459 01	1

INDEX LTR.	DESCRIPTION VARIATION NUMBER	PART NUMBER	QTY.
------------	------------------------------	-------------	------

K	Bracket, oil filter 7	277516	1
L	Connector 7	X-296-2	2

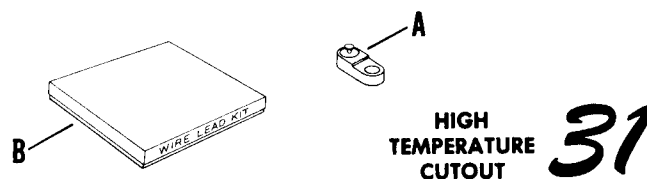
**HIGH TEMPERATURE CUTOUT 31**

INDEX LTR.	DESCRIPTION VARIATION NUMBER	PART NUMBER	QTY.
------------	------------------------------	-------------	------

A	Switch, hi-temperature cutout 1,2	230989	1
B	Lead, low tension		

Use 14 gauge leads for all low tension circuit wiring except use 6 gauge wherever battery current is present and 10 gauge between ammeter to generator or to start switch. Low tension leads are available only in "multiple-use" kit form. Each kit includes an assortment of terminals plus a length of wire which is cut to match the length of the lead being replaced. The available low tension lead kits are:

KIT PART NO.	238056	238055	238054	238058	238060
Wire Size	6 ga.	10 ga.	14 ga.	16 ga.	18 ga.
Wire Length	20'	30'	40'	25'	25'

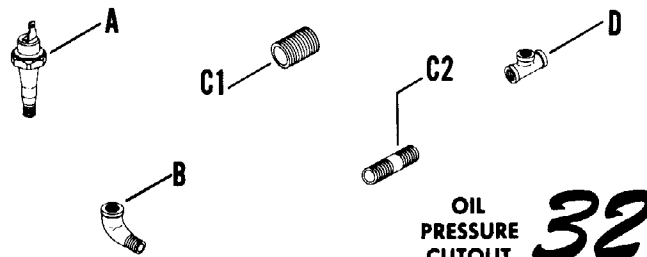


**HIGH TEMPERATURE CUTOUT 31**

**OIL PRESSURE CUTOUT 32**

INDEX LTR.	DESCRIPTION VARIATION NUMBER	PART NUMBER	QTY.
------------	------------------------------	-------------	------

A	Switch, low oil pressure 1,2,3	271662	1
B	Elbow, street 2	X-211-10	1
	3	X-274-4	1
C1	Nipple 1/8 1	X-217-6	1
C2	Nipple 1 1	X-217-7	1
D	Tee, pipe 1	X-203-10	1

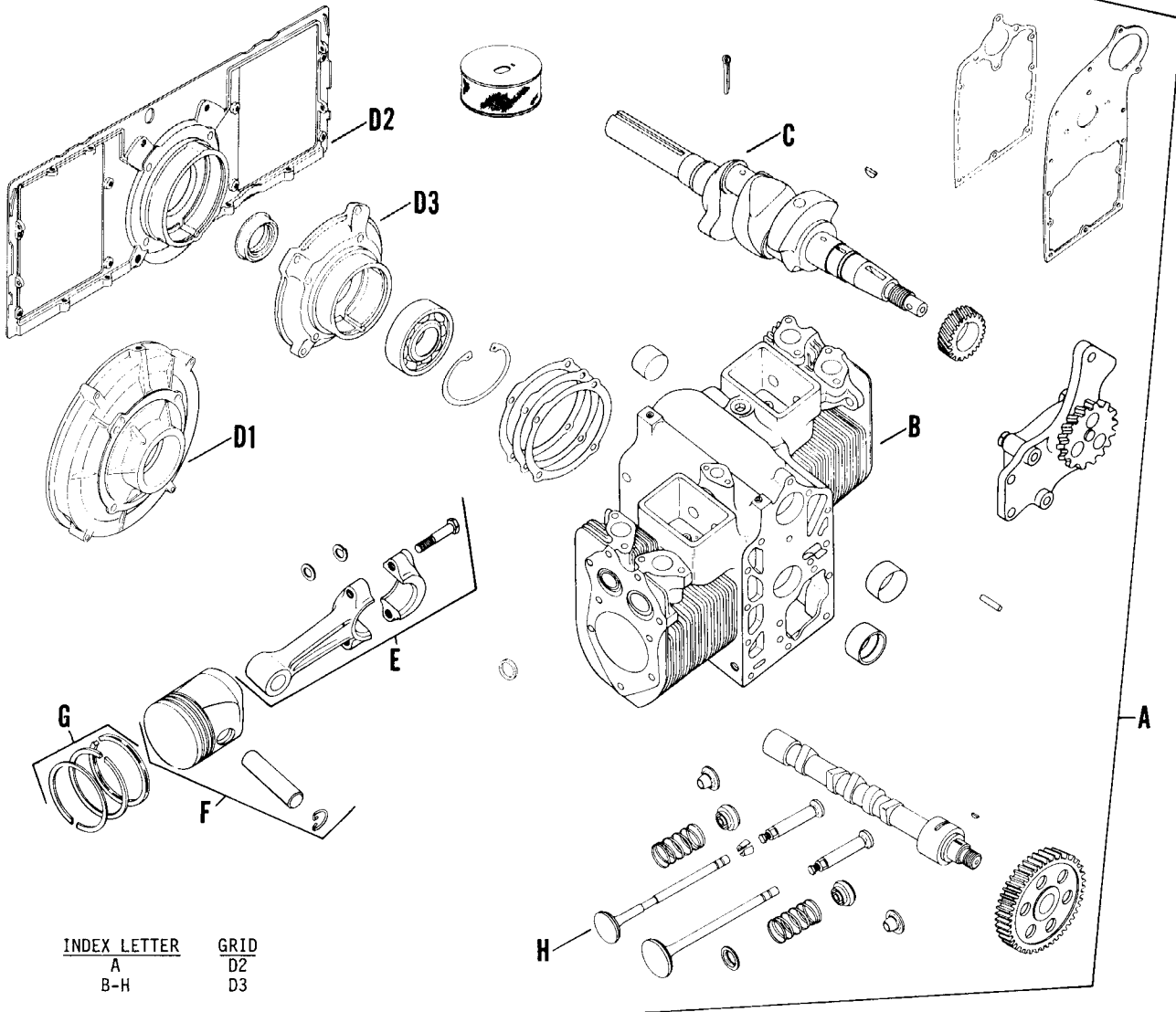


**OIL PRESSURE CUTOUT 32**

# 41

## K482-K532-K582

### 41 SHORT BLOCK



INDEX LETTER	GRID
A	D2
B-H	D3

INDEX LTR.	DESCRIPTION VARIATION NUMBER	PART NUMBER	QTY.	INDEX LTR.	DESCRIPTION VARIATION NUMBER	PART NUMBER	QTY.
<p>Use stock of original part number before ordering replacement</p> <p><b>NOTE:</b> When using a K532 Short Block to rebuild a K482 engine write in with a ball point pen on the sticker provided the number of the Short Block; then place the sticker just below the nameplate on the #2 cylinder baffle. If this is not done, K482 rings, connecting rods, pistons, crankcase assembly, exhaust valves and crankshaft would be incorrectly furnished in future replacements.</p>				(A-CONTINUED)			
A	Short Block - assembly (K532) (Replaced by 48 522 09*)	48 522 02	1	2	Short Block - assembly (K582)	48 522 16*	1
				3		48 522 18*	1
				12		48 522 15*	1
				4	Short Block - assembly (K532)	48 522 17*	1
				5	Short Block - assembly (K532) (Replaced by B-277703*)	A-277703	1
				6	Short Block - assembly (K532) (Replaced by 48 522 08*)	48 522 01	1
						*Includes Gasket Set	
						(A-CONTINUED NEXT PAGE)	



K482-K532-K582

41

ILLUSTRATION ON GRID D2

INDEX LTR.	DESCRIPTION VARIATION NUMBER	PART NUMBER	QTY.	INDEX LTR.	DESCRIPTION VARIATION NUMBER	PART NUMBER	QTY.
	Short Block - assembly (K532) (Replaced by 48 522 10*) 7	48 522 03	1	D3	Plate, rear closure 4,6	277002	1
	Short Block - assembly (K532) (Replaced by 48 522 11*) 8	48 522 04	1		5,7,11	48 009 01	1
	Short Block - assembly (K532) (Replaced by 48 522 12*) 9	48 522 05	1		8	48 009 03	1
	Short Block - assembly (K532) (Replaced by 48 522 13*) 10	48 522 06	1		9	277199	1
	Short Block - assembly (K582) (Replaced by 48 522 14*) 11	48 522 07	1		12	48 009 09	1
B	Block, cylinder - assembly (K532) 1,9	48 005 02	1	E	Rod, connecting - assembly (Std. - K532/K582) ALL	48 067 08	2
	4,5,6,7,8,10	48 005 05	1		Rod, connecting - assembly (.010 U.S. - K532/K582)	48 067 09	2
	Block, cylinder - assembly (K582) 2	48 005 03	1	F	Piston - assembly (Std. - K532) 1,4,5,6,7,8,9,10	A-235827	2
	3,11,12	48 005 06	1		Piston - assembly (.003 - K532)	A-235864	2
C	Crankshaft (K532/K582) 1,2	277696	1		Piston - assembly (.010 - K532)	A-235865	2
	3	48 014 14	1		Piston - assembly (.020 - K532)	A-235866	2
	4	48 014 11	1		Piston - assembly (.030 - K532)	A-235867	2
	5	277659	1		Piston - assembly (Std. - K582) 2,3,11,12	A-237401	2
	6,11	48 014 01	1		Piston - assembly (.003 - K582)	A-237402	2
	7	48 014 07	1		Piston - assembly (.010 - K582)	A-237403	2
	8	277690	1		Piston - assembly (.020 - K582)	A-237404	2
	9	48 014 02	1		Piston - assembly (.030 - K582)	A-237405	2
	10	48 014 05	1	G	Ring set (Std. & .003 - K532) 1,4,5,6,7,8,9,10	48 108 01	2
	12	48 014 03	1		Ring set (.010 - K532)	48 108 02	2
D1	Bracket, Generator mtg. 1,2	277263	1		Ring set (.020 - K532)	48 108 03	2
D2	Plate, rear closure 3	48 009 04	1		Ring set (.030 - K532)	48 108 04	2
	10	48 009 05	1		Ring set (Std. & .003 - K582) 2,3,11,12	48 108 05	2
					Ring set (.010 - K582)	48 108 06	2
					Ring set (.020 - K582)	48 108 07	2
					Ring set (.030 - K582)	48 108 08	2
				H	Valve, exhaust ALL	237672	2

\*Includes Gasket Set

## K482 ACCESSORIES

<u>SPEC NO.</u>	<u>QTY.</u>	<u>PART NO.</u>	<u>DESCRIPTION</u>
35109	1	266115	Meter, hour
35128	1	271647	Cap
	1	271648	Unloader, dust

## K532 ACCESSORIES

<u>SPEC NO.</u>	<u>QTY.</u>	<u>PART NO.</u>	<u>DESCRIPTION</u>
53136	1	287436	Relay

## K582 ACCESSORIES

<u>SPEC NO.</u>	<u>QTY.</u>	<u>PART NO.</u>	<u>DESCRIPTION</u>
36234	1	245803	Switch
36245	1	48 323 02	Lead

## **K482 LIMITED PRODUCTION ENGINE SPECIFICATIONS**

The following engines were produced in limited sample quantities and do not appear in the specification index.

35108	35158
35112	35188
35116	35192
35117	35194
35130	35201
35141	35203
35146	35215
35155	35219
	35239

## **K532 LIMITED PRODUCTION ENGINE SPECIFICATIONS**

The following engines were produced in limited sample quantities and do not appear in the specification index.

53115	53140
53126	53143
53128	53144
53129	53149
	53156

## **K582 LIMITED PRODUCTION ENGINE SPECIFICATIONS**

The following engines were produced in limited sample quantities and do not appear in the specification index.

36203	36209
36204	36222
36205	36228
36207	36247
36208	36248
	36249

## GASKET SETS

### GASKET SET - 48 004 01 (WITHOUT SEALS)

<u>Part No.</u>	<u>Description</u>	<u>Qty.</u>
220174	.... Gasket, breaker cover .....	1
270034	.... Gasket, valve cover .....	2
271030	.... Gasket, carburetor .....	1
277014	.... Gasket, oil pan .....	1
277020	.... Gasket, gear cover .....	1
277022	.... Gasket, gear cover plate .....	1
277073	.... Gasket, breather .....	1
277078	.... Gasket, governor housing .....	1
277087	.... Gasket, closure plate .....	1
277093	.... Gasket, air cleaner .....	1
277099	.... Gasket, governor .....	1
277103	.... Gasket, closure plate .005 .....	3
277115	.... Gasket, closure plate .010 .....	3
277649	.... Gasket, insulator .....	1
277628	.... Gasket, manifold .....	1
277629	.... Gasket, manifold .....	1
47 041 01	... Gasket, fuel pump .....	1
48 041 03	... Gasket, oil filter .....	2
48 052 01	... Gasket, cylinder head .....	2
48 052 02	... Gasket, manifold .....	4

### GASKET SET - 48 755 03 (INCLUDES SEALS)

<u>Part No.</u>	<u>Description</u>	<u>Qty.</u>
X-379-9	.... Seal, front oil .....	1
220174	.... Gasket, breaker cover .....	1
270034	.... Gasket, valve cover .....	2
271030	.... Gasket, carburetor .....	1
277014	.... Gasket, oil pan .....	1
277020	.... Gasket, gear cover .....	1
277022	.... Gasket, gear cover plate .....	1
277065	.... Seal rear oil .....	1
277073	.... Gasket, breather .....	1
277078	.... Gasket, governor housing .....	1
277087	.... Gasket, closure plate .....	1
277091	.... Gasket, manifold .....	4
277093	.... Gasket, air cleaner .....	1
277099	.... Gasket, governor .....	1
277103	.... Gasket, closure plate .005 .....	3
277115	.... Gasket, closure plate .010 .....	3
277195	.... Gasket, oil filter .....	2
277649	.... Gasket, insulator .....	1
277628	.... Gasket, manifold .....	1
277629	.... Gasket, manifold .....	1
47 041 01	.... Gasket, fuel pump .....	1
48 041 03	.... Gasket, oil filter .....	2
48 052 01	.... Gasket, cylinder head .....	2